



FEATURES

Casing: Corrosion resistant AISI 304 SS designed for long lasting performance.

Impeller: AISI type 304 stainless steel construction; vortex design.

Mechanical Seal: Drive lube silicon carbide sealing faces; all metal components of AISI type 300 stainless steel running in protected oil chamber.

Elastomers: BUNA-N

Pump Support Feet: Motor Shell and Lifting Handle: Constructed of AISI type 304 series stainless steel.

Shaft: AISI type 304 stainless steel high strength pump shaft with keyed and locking cap screw impeller fastening.

Discharge: 1½" and 2" NPT for horizontal connection to rigid, flexible or guide rail piping connection.

NOTE: See accessory section guide rail systems, type A10-20 for simplex or duplex system or base elbow rail systems.

Model 1DV/2DV

1½" AND 2" SUBMERSIBLE SEWAGE PUMP

APPLICATIONS

Vortex submersible sewage pumps for simplex and duplex installations in small lift stations, drainage systems or raw water applications requiring solids handling capability of 1 $\frac{3}{8}$ " and 2" diameter made specifically for:

- Homes and farms
- Mobile home parks and motels
- Schools and hospitals
- Municipal package systems
- Industrial treatment systems
- Dewatering applications

Component	Material
Pump body and motor casing	Stainless steel (AISI 304)
Impeller	Stainless steel (AISI 304)
Lower mechanical seal	Silicon carbide/silicon carbide
Upper lip seal	Nitrile rubber
Motor Shaft	Stainless steel (AISI 304)
Handle	Nylon

SPECIFICATIONS

Pump:

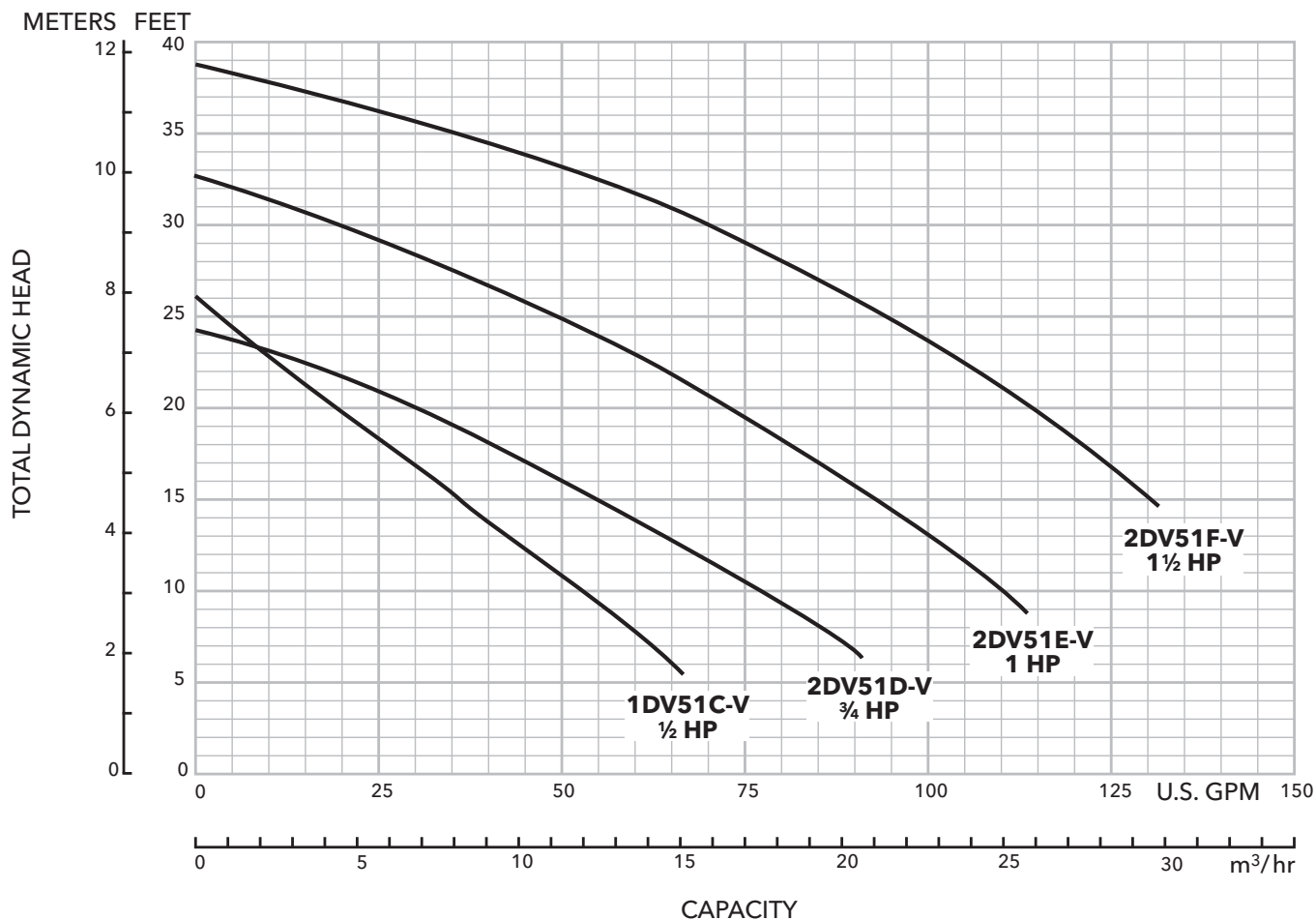
- 1 $\frac{1}{2}$ " discharge on $\frac{1}{2}$ HP
- 2" discharge on $\frac{3}{4}$ HP and larger
- Solid size: 1 $\frac{3}{8}$ " solids on $\frac{1}{2}$ HP; 2" solids on $\frac{3}{4}$ HP and larger
- Capacities: to 130 U.S. GPM (41 m³/h)
- Total heads: to 39 feet TDH (14 m)
- Temperature:
 - 104°F (40°C) continuous
 - 140°F (60°C) intermitten
- Maximum submergence: to 17 feet (5 m)
- AISI 304 SS casing
- AISI 304 SS impeller
- Continuous duty rated, non-overloading motor

Motor:

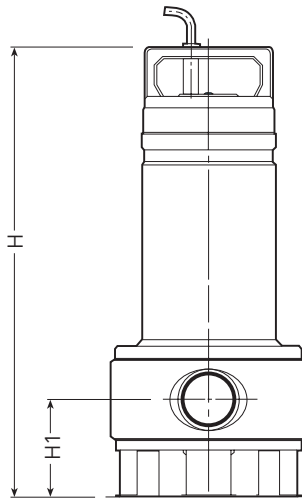
- Single phase: 60 Hz, 3450 RPM, $\frac{1}{2}$ HP, 115 V; $\frac{1}{2}$ to 1 HP, 230 V.
- Three phase: 60 Hz, 3450 RPM, $\frac{1}{2}$ to 1 $\frac{1}{2}$ HP, 230 and 460 V.
- Non-overloading.
- Air-filled, class F insulated motor.
- Thermal overload protection: built-in with automatic reset on single phase, 115 V and 230 V models.
- Three phase models require external overload in panel.
- Power cord: 20 feet long.
- Single phase 115 V and 230 V models are supplied with molded NEMA plugs and built-in capacitors.
- Three phase models are supplied with bare leads.
- Float controls: optional, see accessory section for simplex or duplex system requirements.
- Rotation is clockwise when viewed from top.

MODEL INFORMATION

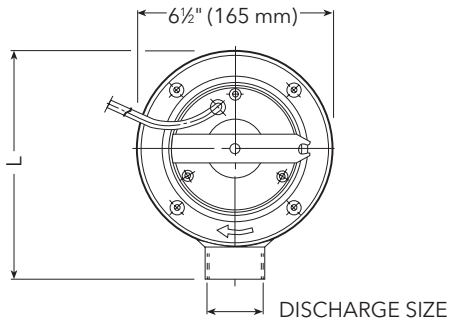
Order Number	HP	Volts	Phase	Maximum Amps	Start Amps	Capacitor uF/V	Resistance Start/Line-Line	RPM	Cord Length	Discharge Connection	Solids	Weight (lbs.)	
1DV51C0VA		115	1	9.8	51.0	70/250	1.6 / 0.6	3450	20'	1½"	1¾"	22	
1DV51C1VA	½	230		4.2	26.3	20/450	5.9 / 2.6						
1DV51C3VA			3	2.3	14.6	NA	NA / 11.7						
1DV51C4VA				1.2	7.5	NA	NA / 14.7						
2DV51D1VA		230	1	5.4	27.2	22/450	4.4 / 1.9			20"	2"	2"	30
2DV51D3VA	¾	460	3	3.4	24.9	NA	NA / 6.0						25
2DV51D4VA				1.7	12.7	NA	NA / 7.8						34
2DV51E1VA	1	230	1	7.0	30.6	30/450	4.2 / 1.9						30
2DV51E3VA				3	4.4	29.8	NA						NA / 5.3
2DV51E4VA			2.2		15.2	NA	NA / 6.6						32
2DV51F3VA	1½	230	3	5.6	39.2	NA	NA / 3.7			32			
2DV51F4VA				460	2.8	19.9	NA				NA / 4.8		



DIMENSIONS



Series	HP	Phase	Dimensions in inches (mm)			Discharge Size	Wt. (lbs.)
			H	H1	L		
1DV	½	3	15⅞ (391)	3½ (88)	7½ (193)	1½"	20
		1					22
2DV	¾	3	17¼ (438)	4⅜ (111.5)	7¾ (198)	2"	25
		1	18 (458)				30
	1	3	18⅜ (478)				30
		1					34
	1½	3	32				



xylem
Let's Solve Water

Xylem, Inc.
2881 East Bayard Street Ext., Suite A
Seneca Falls, NY 13148
Phone: (866) 325-4210
Fax: (888) 322-5877
www.xylem.com/brands/gouldswatertechnology

Goulds is a registered trademark of Goulds Pumps, Inc. and is used under license.
© 2012 Xylem Inc. B1DV/2DV R1 April 2012