



FEATURES

- Impeller:** Polyurethane for wear and corrosion resistance.
- Adjustable Discharge:** Discharge can be installed for either vertical or horizontal installation using only 2 screws.
- Diffuser:** Polyurethane for wear and corrosion resistance.
- Mechanical Seal:** Dual seals for double leakage protection, outer seal - silicon carbide.
- Rubber Liner:** Protects against wear around impeller.
- Bottom Strainer:** Made of impact absorbing EPDM rubber, suction holes allow for low pump down.

2DW

SUBMERSIBLE DEWATERING PUMP

APPLICATIONS

Specifically designed to remove water from:

- Drainage ditches
- Trenches
- Basements
- Manholes
- Excavating drainage in the building trades

SPECIFICATIONS

Pump:

- Discharge size: 2" threaded hose coupling design
- Capacities: up to 84 GPM
- Total heads: up to 51 feet
- Maximum solids: any particles passing through strainer
- Mechanical seals: outer seal - silicon carbide, inner seal - carbon ceramic
- Temperature limit: 95°F (35° C) maximum
- Depth of immersion: 16.5 feet (5m) maximum

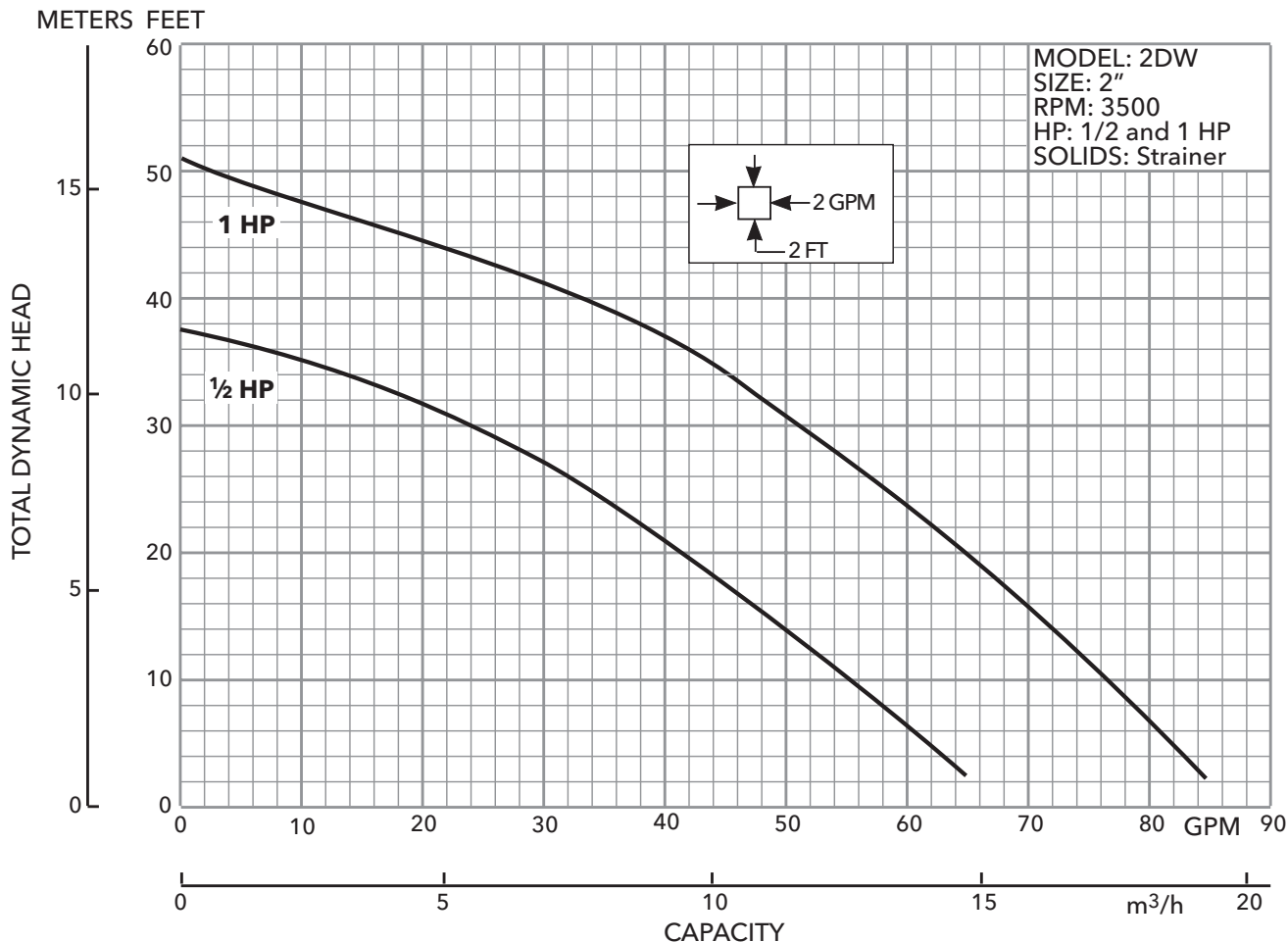
Motor:

- Single phase: 3500 RPM, ½ HP and 1 HP, 115 and 230 V, 60 Hz
- Built-in starter with full overload and temperature protection.
- Class F insulation.
- Air filled design.
- Upper and lower heavy duty ball bearing construction.
- Power cord: 50 feet.

AGENCY LISTINGS



Tested to UL778 standards by Canadian Standards Association. NRTL File #LR13533



REPLACEMENT KITS

Each kit contains the following parts:

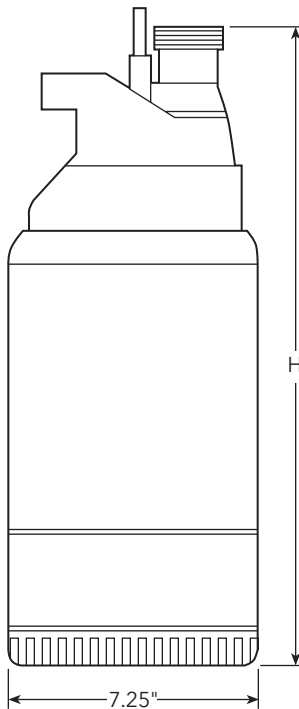
Impeller Kit (15K11 for ½ HP, 15K73 for 1 HP) - Impeller, impeller screw, protective plug, washer, assembly instruction

Diffuser Kit (15K62 for both ½ HP and 1 HP) - Diffuser, barrel nuts, screws, washers, assembly instruction, sticker

Outer seal Kit (15K14 for both ½ HP and 1 HP) - Mechanical face-seal unit, assembly instruction, sticker

See the *Repair Part* page for other available parts.

DIMENSIONS



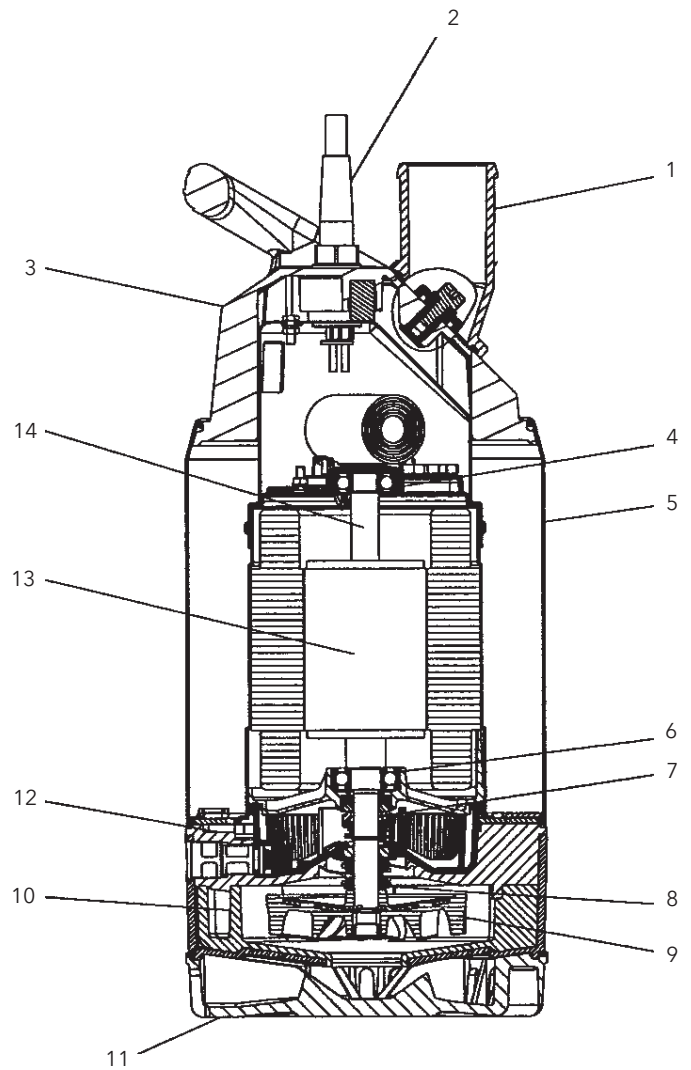
MODEL INFORMATION

Order No.	HP	Volts	Phase	Maximum Amp	RPM	H (in.)	Wt. (lbs.)
2DW0511	½	115	1	5.5	3500	15.75	20
2DW0512		230		2.9			
2DW1011	1	115		9.8		17	25
2DW1012		230		4.9			

COMPONENTS

Item No.	Description
1	Discharge
2	Power cord
3	Handle/cover
4	Support bearing
5	Pump casing
6	Main bearing
7	Inner mechanical seal
8	Outer mechanical seal
9	Impeller
10	Suction cover
11	Strainer
12	Oil plug
13, 14	Motor

* See repair parts page for available repair kits.



xylem
Let's Solve Water

Xylem, Inc.
2881 East Bayard Street Ext., Suite A
Seneca Falls, NY 13148
Phone: (866) 325-4210
Fax: (888) 322-5877
www.xylem.com/brands/gouldswatertechnology

Goulds is a registered trademark of Goulds Pumps, Inc. and is used under license.
© 2012 Xylem Inc. B2DW R1 April 2012