



SP02/SP03

SUBMERSIBLE SUMP PUMP

FEATURES

Corrosion-resistant construction

Stainless Steel motor casing and fasteners

Glass-filled thermoplastic impeller and casing

Bearings: Upper and lower heavy duty ball bearing construction.

Motor is permanently lubricated for extended service life and is powered for continuous operation. All ratings are within the working limits of the motor.

Stainless steel shaft

Complete unit is light weight, portable and compact.

APPLICATIONS

Specially designed for the following uses:

- Basement draining
- Water transfer
- Dewatering

SPECIFICATIONS

Pump:

- Discharge size:
 - SP024 - 1¼" NPT
 - SP025 - 1½" NPT
 - SP035 - 1½" NPT
- Capacities: to 40 GPM
- Maximum head: to 30 feet
- Temperature: 104° F (40° C) maximum, continuous when completely submerged.
- Solids handling: ⅜" maximum spherical
- Float switch: built-in non-mercury Vertical or Piggyback Wide Angle.
- Manual model also available - SP035M
- Pumping range: 3.0"
- Maximum pump down - 1¼" from base

AGENCY LISTINGS



Tested to CSA 22.2 108 Standards
By Canadian Standards Association
File #LR38549



Underwriter's Laboratories

MOTOR

- SP02: ¼ HP, 115 V, 60 Hz, single phase 3400 RPM, 2.4 amps maximum.
- SP03: ½ HP, 115 V, 60 Hz, single phase, 3400 RPM, 3.0 amps maximum.
- Built-in thermal overload protection with automatic reset.
- Permanent-split-capacitor type
- Class B insulation
- Air filled design
- Stainless steel shaft
- Power cord: 10 foot standard length, heavy duty 16/3 SJTW with NEMA 5-15 P three prong grounding plug, 115V.

PERFORMANCE RATINGS

SP02

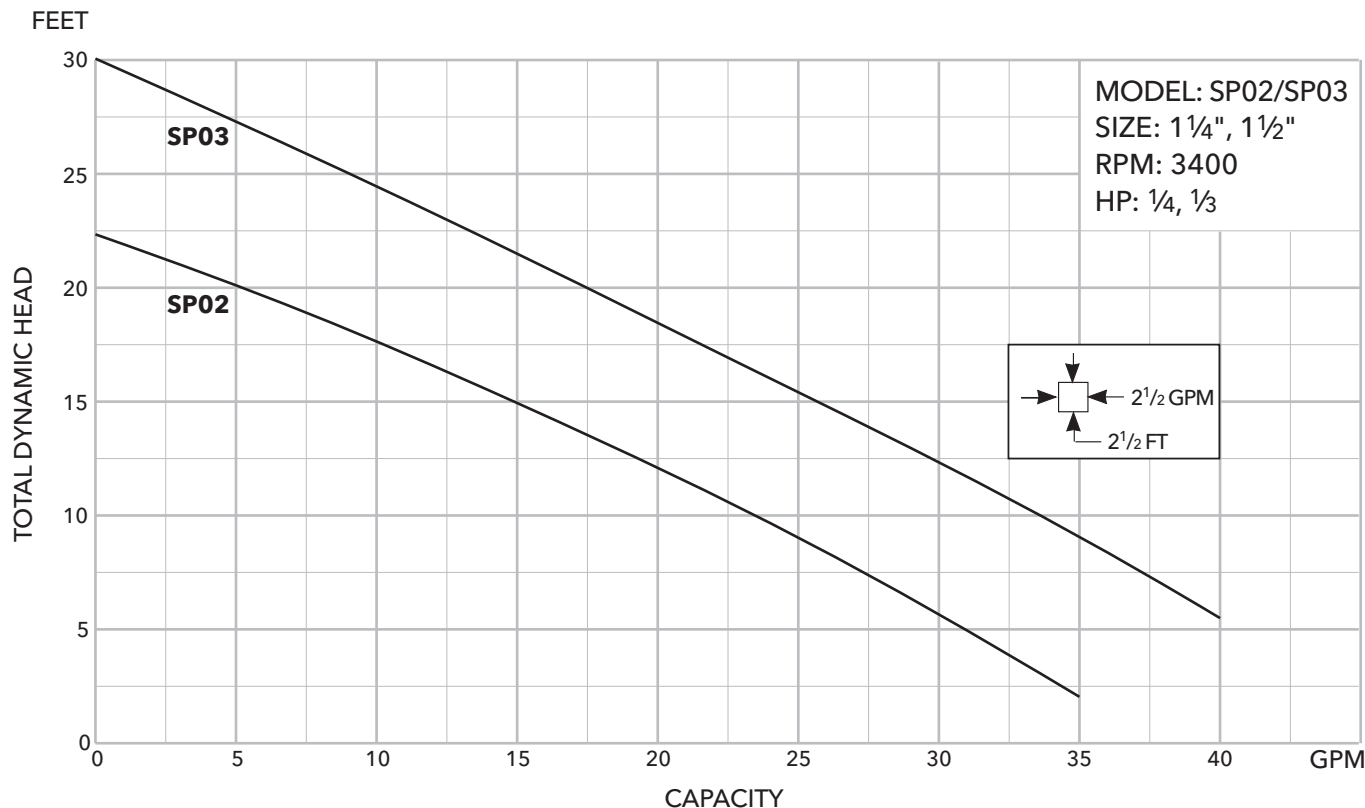
Total Head (feet of water)	GPM	GPH
5	31	1,860
10	23	1,380
15	15	900
20	5	300

SP03

Total Head (feet of water)	GPM	GPH
5	41	2,490
10	34	2,040
15	26	1,560
20	17	1,020
25	8	480

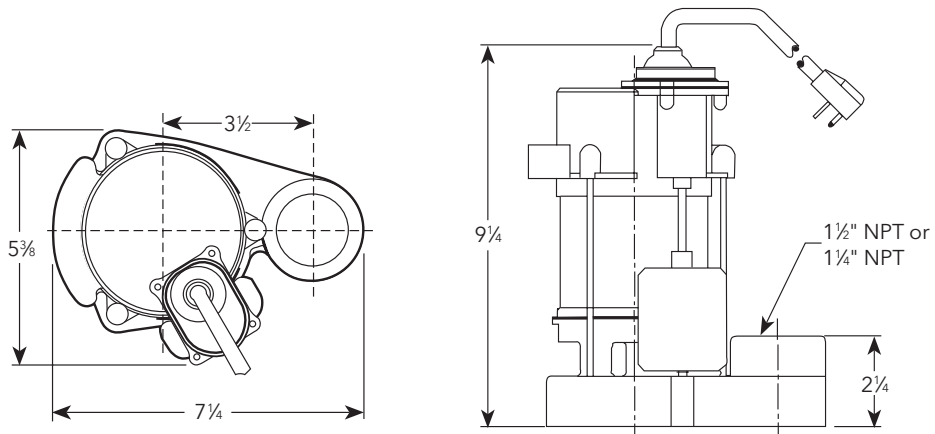
MODEL INFORMATION

Order No.	HP	Volts	Amps	Minimum Circuit Breaker	Phase	Float Switch Style	Cord Length	Discharge Connection	Min. On Level	Min. Off Level	Minimum Basin Diameter	Maximum Solids Size	Shipping Weight lbs/kg		
SP024V	1/4	115	2.4	10	1	Built-In Vertical	10'	1 1/4"	6"	3"	9"	3/8"	8 / 3.6		
SP024AT				Piggyback Wide Angle		10'	1 1/4"	11"	5"	12"					
SP025V				Built-In Vertical		10'	1 1/2"	6"	3"	9"					
SP025AT				Piggyback Wide Angle		10'	1 1/2"	11"	5"	12"					
SP035V	1/3	115	3.0	10	1	Built-In Vertical	10'	1 1/2"	6"	3"	9"			3/8"	8 / 3.6
SP035M				Plug / No Switch		10'	1 1/2"	6"	3"	9"					
SP035AT				Piggyback Wide Angle		10'	1 1/2"	11"	5"	12"					
						10'	1 1/2"	11"	5"	12"					



DIMENSIONS

(All dimensions are in inches. Do not use for construction purposes.)



xylem
Let's Solve Water

Xylem, Inc.
2881 East Bayard Street Ext., Suite A
Seneca Falls, NY 13148
Phone: (866) 325-4210
Fax: (888) 322-5877
www.xylem.com/brands/gouldswatertechnology

Goulds is a registered trademark of Goulds Pumps, Inc. and is used under license.
© 2012 Xylem Inc. BSP02/03 R1 April 2012