



ITT

BSTS2131

Wastewater

Goulds Pumps

STS21/STS31 Submersible Sump Pumps



FEATURES

- Corrosion-resistant construction.
- A mechanical seal protects the motor. It consists of ceramic/silicon carbide seal faces with BUNA elastomers.
- Glass-filled thermoplastic impeller and motor cover.
- Upper and lower heavy duty ball bearing construction.
- Air-filled motor mounted in aluminum housing.
- Motor is permanently lubricated for extended service life and is powered for continuous operation. All ratings are within the working limits of the motor.
- Includes vertical float switch and mounting pipe. Adjustable for various liquid levels.
- Complete unit is lightweight, portable and easy to service.

 **GOULDS PUMPS**

AGENCY LISTING



Goulds Pumps is ISO 9001 Registered.

Goulds Pumps is a brand of ITT Corporation.

www.goulds.com

Engineered for life

APPLICATIONS

Specially designed for the following uses:

- Basement draining
- Water transfer
- Dewatering

SPECIFICATIONS

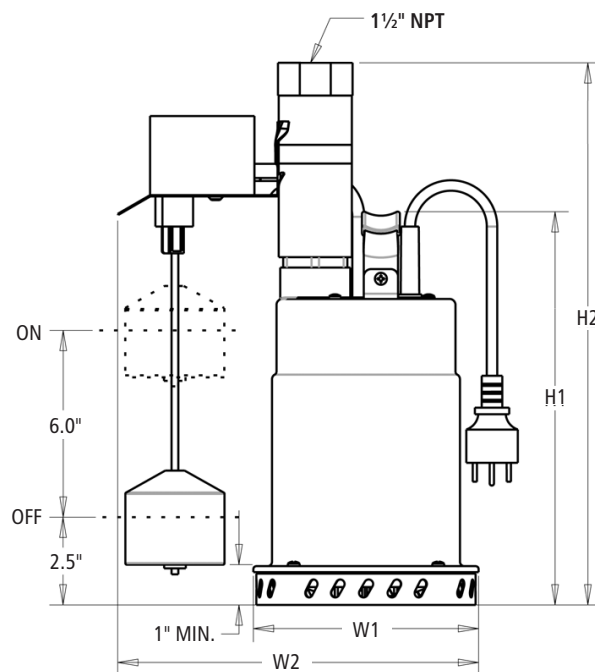
- Discharge size: 1 1/2" NPT.
- Capacities: to 38 GPM.
- Maximum head: 25 feet TDH.
- Maximum solids: 3/16" spherical
- Temperature: 104° F (40° C) maximum liquid temperature.
- Mechanical seal: ceramic/silicon carbide faces with BUNA elastomers.

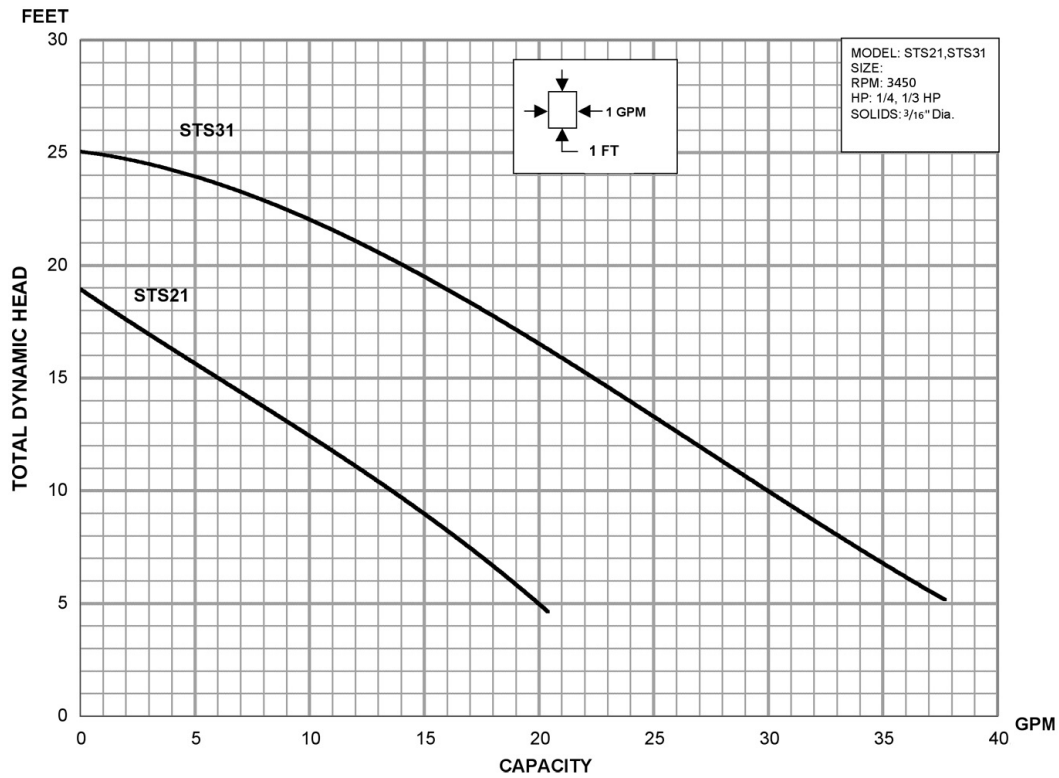
MOTOR

- Single phase, 3450 RPM, 60 Hz
 - STS21, 1/4 HP, 115 V, 2.5 amps.
 - STS31, 1/3 HP, 115 V, 4.5 amps.
- Built-in thermal overload protection with automatic reset.
- Permanent-split-capacitor type.
- Class B insulation.
- Air filled design.
- Power cord length: 20 feet with NEMA 5-15P plug.

MODEL INFORMATION

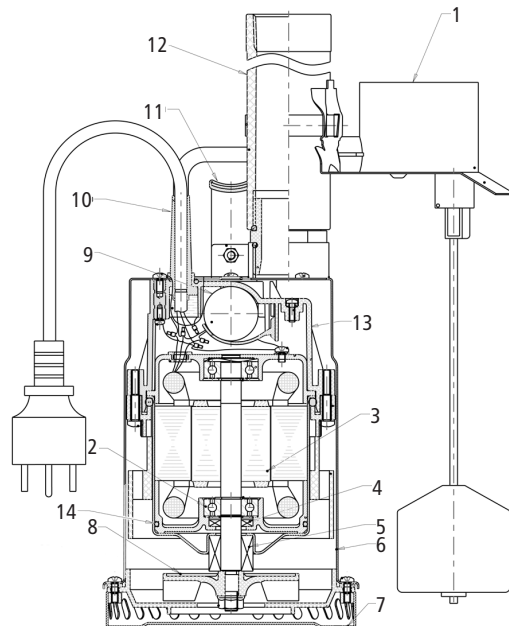
Part No.	HP	Volts	Phase	Hz	Max. Amps	RPM	TP	W1 (in.)	W2 (in.)	H1 (in.)	H3 (in.)	Wt. lbs.
STS21V	1/4	115	1	60	2.5	3450	Yes	5.9	9.6	10.1	14.7	10.0
STS31V	1/3				4.5					10.4	15.1	11.0





COMPONENTS

Item No.	Description
1	SJE Vertical Master II Switch includes Mounting Hardware
2	Upper and Lower Ball Bearings
3	Motor – PSC Air Filled
4	Lip Seal – BUNA N
5	Mechanical Seal – Ceramic/Silicon Carbide
6	Pump Casing – Stainless Steel
7	Suction Strainer – Stainless Steel
8	Impeller – PPO
9	Run Capacitor
10	Power Cable – SJTW
11	Pump Handle
12	1½" Discharge Pipe – Connection Kit
13	Motor cover – PP
14	Motor housing – aluminum





ITT

2881 East Bayard Street, Seneca Falls, NY 13148

Phone: (315) 568-7123 • Fax: (315) 568-7973

www.goulds.com

Goulds Pumps is a registered trademark of ITT Corporation.
ITT, the Engineered Blocks Symbol and Engineered for Life are
registered trademarks of ITT Manufacturing Enterprises, Inc.

Copyright © 2011 ITT Corporation BSTS2131 January, 2011 Printed in U.S.A.
SPECIFICATIONS ARE SUBJECT TO CHANGE WITHOUT NOTICE.

