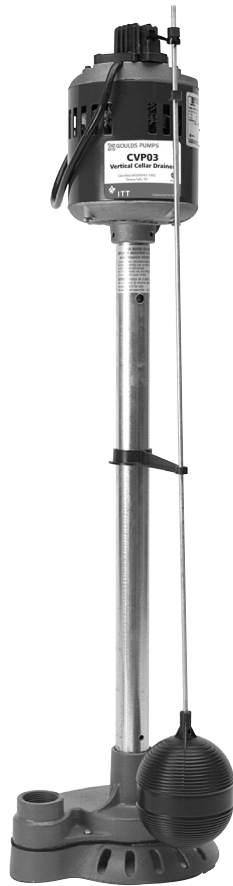


ITT

Wastewater

Goulds Pumps

CVP03 Vertical Sump Pumps



FEATURES

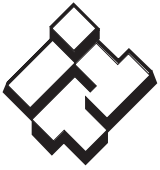
- **Side Suction:** Positioning of suction strainer on side of casing eliminates impeller clogging from debris in bottom of sump.
- **Powered for Continuous Operation:** All ratings are within the working limits of the motor.
- **Corrosion Resistant Cast Iron Construction:** Cast iron semi-open impeller, strainer, base and casing. Zinc coated steel column tube. Stainless steel shaft and fasteners.
- **Float Actuated Switch**



Goulds Pumps is a brand of ITT Corporation.

www.goulds.com

Engineered for life



ITT

GOULDS PUMPS Wastewater

APPLICATIONS

Specifically designed for the following uses:

- Basement draining
- Water transfer
- Dewatering

SPECIFICATIONS

Pump:

- Discharge: 1¼" NPT, will accept adapter for 1½" discharge pipe.
- Power cord: heavy duty 8 foot, 3-wire cord.
- Temperature: 160°F (71°C) maximum.
- Sump diameter: 12 inches or larger.

Motor:

- ½ HP, 115 V, 60 Hz, single phase, 1725 RPM with built-in overload protection and automatic reset.
- 5.9 amps maximum.

PERFORMANCE RATINGS

Total Head (ft. of water)	Gallons Per Hour
5	3150
10	2380
15	1260
18 max.	0

* Vertical distance or elevation from bottom of sump to highest point in discharge plus pipe friction.

AGENCY LISTINGS

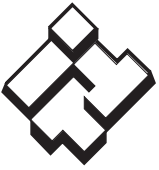


Tested to UL 778 and CSA 22.2 108 Standards
By Canadian Standards Association
File #LR38549

Goulds Pumps is ISO 9001 Registered.

MODEL INFORMATION

Order No.	HP	Volts	Phase	Maximum Amps	RPM	Weight (lbs.)
CVP03	½	115	1	5.9	1750	32

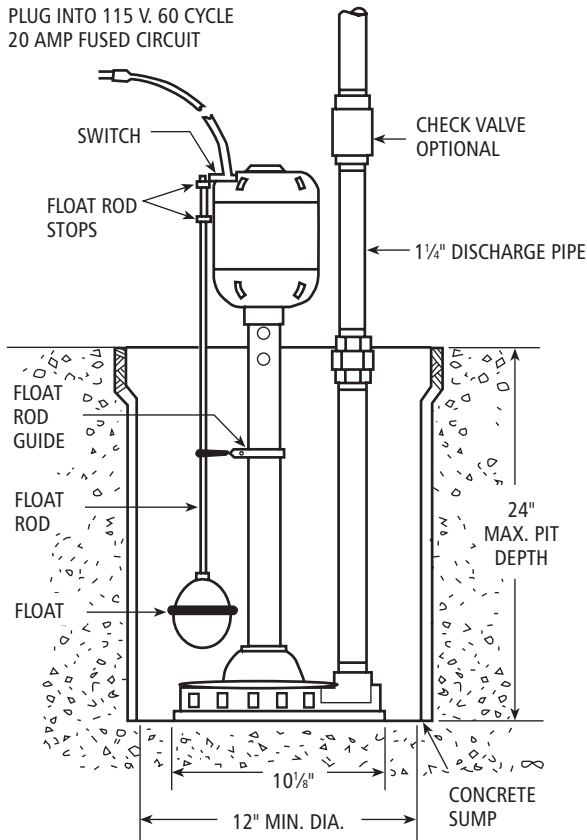


ITT

GOULDS PUMPS Wastewater

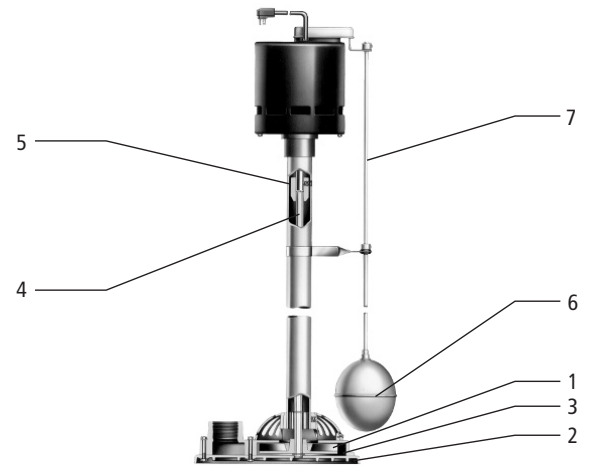
INSTALLATION

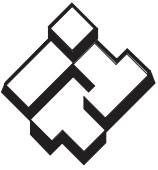
PLUG INTO 115 V. 60 CYCLE
20 AMP FUSED CIRCUIT



COMPONENTS

Item No.	Description
1	Impeller
2	Base
3	Casing
4	Shaft
5	Coupling
6	Float
7	Float rod



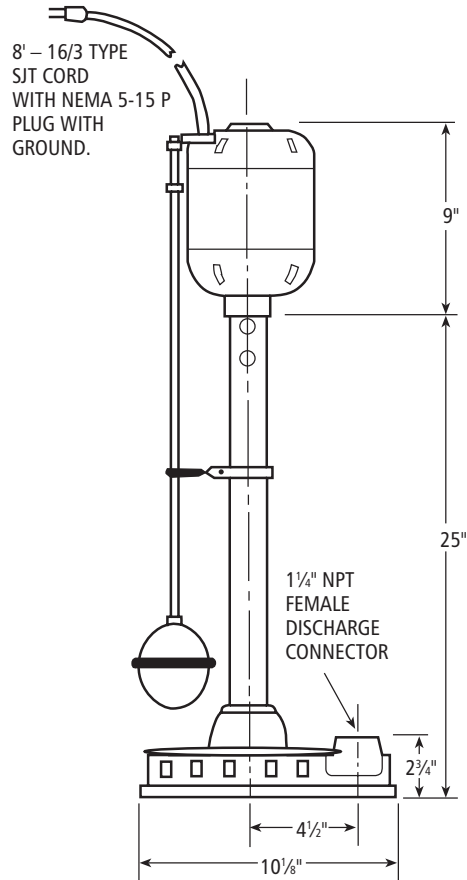


ITT

Wastewater

DIMENSIONS AND WEIGHTS

(All dimensions are in inches and weight in lbs. Do not use for construction purposes.)



GOULDS PUMPS

Goulds Pumps and the ITT Engineered Blocks Symbol are registered trademarks and tradenames of ITT Corporation.

SPECIFICATIONS ARE SUBJECT TO CHANGE WITHOUT NOTICE.

BVP March, 2007

© 2007 ITT Corporation

Engineered for life