

AQUAVAR® AVII

VARIABLE SPEED PUMP CONTROLLER



AVII VOLTAGES, PHASES AND HORSEPOWER RANGES

200-230 Volt Single Phase Input	200-230 Volt Three Phase Input
2 HP - 10 HP	1 HP - 20 HP

460 Volt Three Phase Input	575 Volt Three Phase Input
2 HP - 75 HP	2 HP - 40 HP
100 HP - 150 HP coming soon!!!	50 - 100 HP coming soon!!!

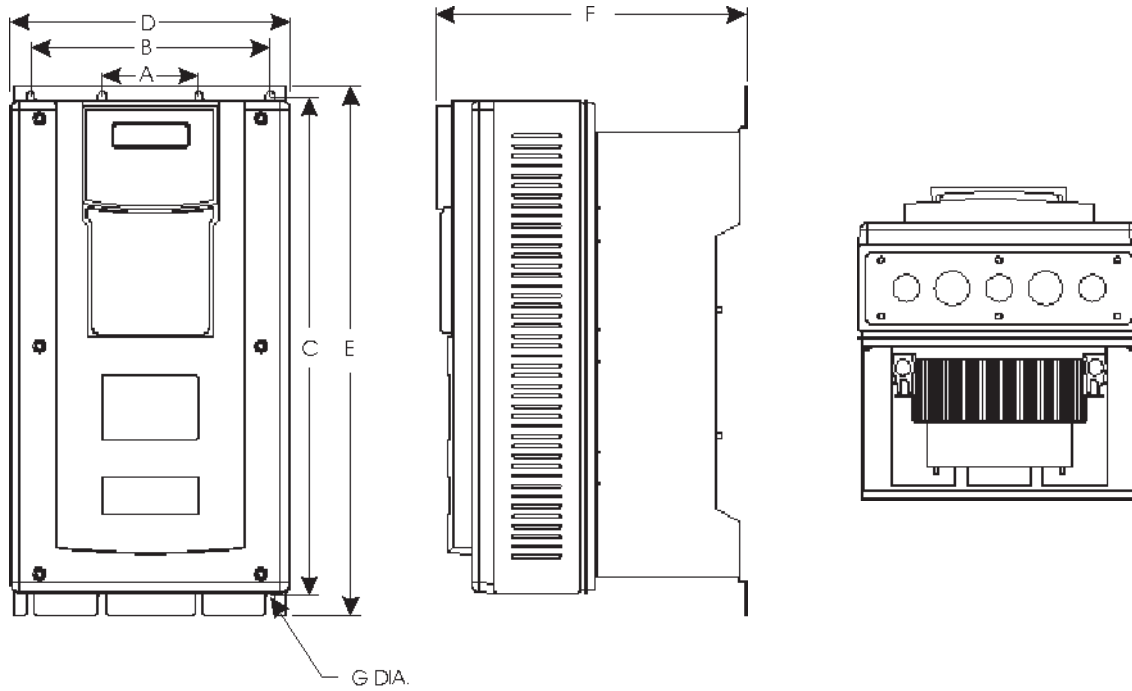
- The AVII is a wall-mounted variable speed pump controller with a domestically designed power platform that incorporates all of the programming and functionality of the standard pump-mounted AQUAVAR.
- All of the components necessary to ensure optimum controller performance are fully integrated into one compact package.
- The controller consists of: the transducer, programming board, frequency inverter board (including over-voltage protection) and the external fan to cool the controller.
- With the AVII, G & L has expanded the AQUAVAR product offering to include more voltages and phases as well as higher horsepower than ever before.

AVII ADDED FEATURES

- Input line reactors not required for controller to be covered under warranty.
- Programmable supply voltage, output current and output voltage.
- Ability to monitor output voltage, current, power, drive temperature and motor temperature.

Select the Control Method to Suit Your Application:

- Constant Pressure
- Constant Flow
- Level Control

**VARIABLE SPEED
PUMP CONTROLLER**
DIMENSIONAL SPECIFICATIONS


HP Rating	A in (mm)	B in (mm)	C in (mm)	D in (mm)	E in (mm)	F in (mm)	G in (mm)
1 to 20	3.20 (81.3)	7.88 (200.2)	16.50 (419.1)	9.20 (233.7)	17.44 (443.0)	13.43 (293.4)	0.28 (7.1)
25 to 40	3.20 (81.3)	7.88 (200.2)	19.25 (489.0)	11.25 (285.8)	20.19 (512.8)	13.43 (329.7)	0.28 (7.1)
25 to 60	3.20 (81.3)	7.88 (200.2)	28.00 (711.2)	12.62 (320.5)	29.25 (742.9)	11.73 (297.9)	0.28 (7.1)
75	3.20 (81.3)	7.88 (200.2)	30.00 (762.0)	12.62 (320.5)	29.25 (742.9)	11.73 (297.9)	0.28 (7.1)

WEIGHTS OF MODELS - Table 1: NEMA 12

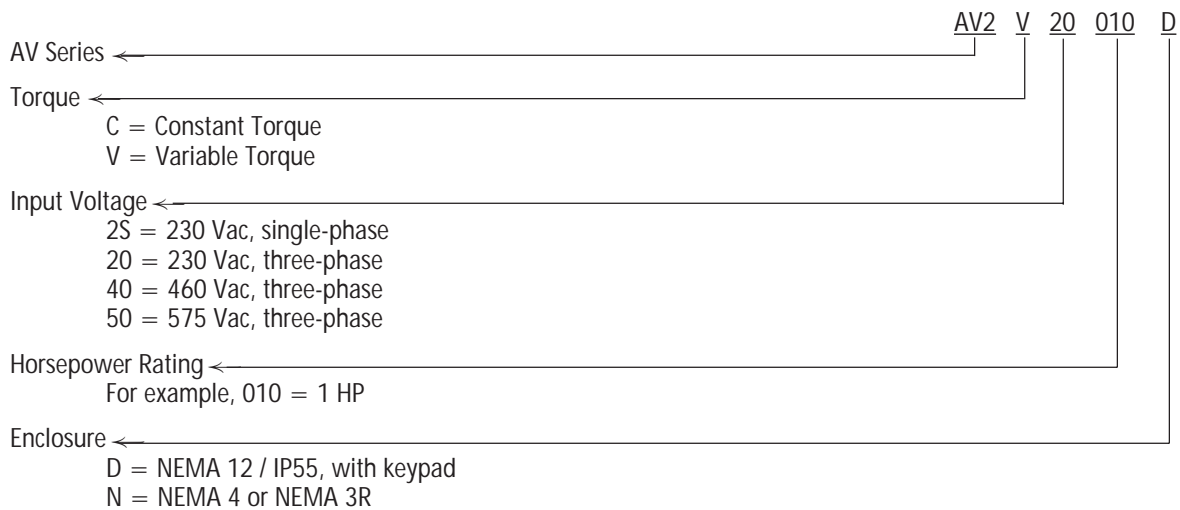
Power Rating	Weight		Power Rating	Weight	
	HP	Pounds		Kilograms	HP
1	24.0	10.9	20	28.0	12.7
2	24.0	10.9	25	52.0	23.6
3	24.0	10.9	30	52.0	23.6
5	24.0	10.9	40	60.0	27.2
7 1/2	24.0	10.9	50	95.0	43.0
10	24.0	10.9	60	95.0	43.0
15	28.0	12.7			

VARIABLE SPEED PUMP CONTROLLER

ELECTRICAL SPECIFICATIONS

Interpreting Model Numbers

The model number of the Aquavar appears on the shipping carton label and on the technical data label affixed to the model. The information provided by the model number is shown below:



Power and Current Ratings

Model Number	Motor Power		Input			Output Voltage (Vac)	Output Current (A)	
	HP	kW	Voltage (Vac)	Maximum Current (A)			200/380 Vac	230/460/575 Vac
				200/380 Vac	230/460/575 Vac			
AV2V2S010D	1.0	0.7	Single-phase 200 to 230 ± 15%	—	8.9	0 to 230	4.8	4.2
AV2V2S020D	2.0	1.5		—	16.2		7.8	6.8
AV2V2S030D	3.0	2.2		—	23.1		11.0	9.6
AV2V2S050D	5.0	3.7		—	32.9		17.5	15.2
AV2V2S075D	7.5	5.5		—	47.5		25.3	22.0
AV2V2S100D	10.0	7.5		—	62.8		32.2	28.0
AV2V20010D	1.0	0.7	Three-phase 200 to 230 ± 15%	5.6	4.8	0 to 230	4.8	4.2
AV2V20020D	2.0	1.5		9.0	7.8		7.8	6.8
AV2V20030D	3.0	2.2		12.7	11.0		11.0	9.6
AV2V20050D	5.0	3.7		20.2	17.5		17.5	15.2
AV2V20075D	7.5	5.5		29.2	25.3		25.3	22.0
AV2V20100D	10.0	7.5		37.2	32.2		32.2	28.0

**VARIABLE SPEED
PUMP CONTROLLER**
ELECTRICAL SPECIFICATIONS
Power and Current Ratings (continued)

Model Number	Motor Power		Input			Output Voltage (Vac)	Output Current (A)	
	HP	kW	Voltage (Vac)	Maximum Current (A)			200/380 Vac	230/460/575 Vac
				200/380 Vac	230/460/575 Vac			
AV2V20150D	15.0	11.0	Three-phase 200 to 230 ± 15%	52.1	46.4	0 to 230	48.3	42.0
AV2V20200D	20.0	15.0		53.9	47.4		62.1	54.0
AV2V40010D	1.0	0.7	Three-phase 380 to 460 ± 15%	3.4	2.4	0 to 460	2.4	2.1
AV2V40020D	2.0	1.5		5.2	3.9		3.8	3.4
AV2V40030D	3.0	2.2		7.2	5.6		5.7	4.8
AV2V40050D	5.0	3.7		12.0	8.8		8.9	7.6
AV2V40075D	7.5	5.5		15.0	12.8		12.0	11.0
AV2V40100D	10.0	7.5		19.7	16.3		15.6	14.0
AV2V40150D	15.0	11.0		30.9	25.8		23.0	21.0
AV2V40200D	20.0	15.0		40.0	33.3		31.0	27.0
AV2V40250D	25.0	18.6		49.2	40.0		37.0	34.0
AV2V40300D	30.0	22.0		57.5	47.8		43.0	40.0
AV2V40400D	40.0	30.0		62.3	53.3		61.0	52.0
AV2V40500D	50.0	37.3		69.0	58.0		73.0	65.0
AV2V40600D	60.0	44.7		82.0	68.8		87.0	77.0
AV2V40750D	75.0	56.0		98.3	82.2		105.0	96.0
AV2V50010D	1.0	0.7	Three-phase 575 ± 15%	—	2.0	0 to 575	—	1.7
AV2V50020D	2.0	1.5		—	3.6		—	2.7
AV2V50030D	3.0	2.2		—	5.0		—	3.9
AV2V50050D	5.0	3.7		—	7.6		—	6.1
AV2V50075D	7.5	5.5		—	10.4		—	9.0
AV2V50100D	10.0	7.5		—	14.1		—	11.0
AV2V50150D	15.0	10.0		—	20.8		—	17.0
AV2V50200D	20.0	15.0		—	27.8		—	22.0
AV2V50250D	25.0	18.6		—	33.4		—	27.0
AV2V50300D	30.0	22.0		—	39.1		—	32.0
AV2V50400D	40.0	30.0		—	52.0		—	41.0