

INSTRUCTION MANUAL

IM156



MODELS COVERED:

1151AB2 (115V, 4.2A), 1AB2 (230V, 4.2A),
2AB2 (230V, 6.9A)

Aquavar ABII Controller

VARIABLE SPEED PUMP CONTROL

INSTALLATION, OPERATION AND TROUBLESHOOTING MANUAL



Owner's Information

Controller Model Number: _____
Controller Serial Number: _____
Pump Model Number: _____
Pump Serial Number: _____
Motor Model Number: _____
Motor SFA: _____
Tank Serial Number: _____
Installer: _____

Installer Telephone Number: _____
Installation Date: _____
Wire Lengths (Feet)
Service Entrance to Controller: _____
Controller to Motor: _____
Incoming Voltage: _____

Table of Contents

SUBJECT	PAGE
1. Safety Instructions	3
2. System Components	3
3. System Design	4
4. Piping.....	5
5. Mounting the Controller	5
6. Power Supply and Wiring	6
7. Starting the System.....	6-7
8. Diagrams.....	8-9
9. Troubleshooting	10-11
10. Controller Dimensions	11
11. Limited Warranty	12

NOTICE: RECORD THE MODEL NUMBERS AND SERIAL NUMBERS FROM THE PUMP AND CONTROLLER IN THIS INSTRUCTION MANUAL FOR FUTURE REFERENCE. GIVE IT TO THE OWNER OR AFFIX IT TO THE CONTROLLER WHEN FINISHED WITH THE INSTALLATION.

NOTE:

- Use Copper wire only.
- Suitable for use on a circuit capable of delivering not more than 5000 RMS symmetrical amperes. Branch circuit protection provided by fuses.
- Suitable for use in a pollution degree 2 micro-environment.
- Motor overload protection provided at 110% of full load current.
- In order to maintain the environmental rating integrity of the enclosure, all openings must be closed by equipment rated 3, 3R, 3S, 4, 4X, 6 or 6P.
- Maximum ambient temperature is 50° C.

1: SAFETY INSTRUCTIONS

TO AVOID SERIOUS OR FATAL PERSONAL INJURY OR MAJOR PROPERTY DAMAGE, READ AND FOLLOW ALL SAFETY INSTRUCTIONS IN MANUAL AND ON EQUIPMENT.

THIS MANUAL IS INTENDED TO ASSIST IN THE INSTALLATION AND OPERATION OF THIS UNIT AND MUST BE KEPT WITH THE UNIT.



This is a **SAFETY ALERT SYMBOL**. When you see this symbol on the pump, the controller or in the manual, look for one of the following signal words and be alert to the potential for personal injury or property damage.



Indicates an imminently hazardous situation which, if not avoided, will result in death or serious injury.



Indicates a potentially hazardous situation which, if not avoided, could result in death or serious injury.



Indicates a potentially hazardous situation which, if not avoided, may result in minor or moderate injury.




Used without a safety alert symbol indicates a potentially hazardous situation which, if not avoided, could result in property damage.

NOTE: INDICATES SPECIAL INSTRUCTIONS WHICH ARE VERY IMPORTANT AND MUST BE FOLLOWED.


THOROUGHLY REVIEW ALL INSTRUCTIONS AND WARNINGS PRIOR TO PERFORMING ANY WORK ON THIS CONTROLLER.

MAINTAIN ALL SAFETY DECALS.

ALL OPERATING INSTRUCTIONS MUST BE READ, UNDERSTOOD, AND FOLLOWED BY THE OPERATING PERSONNEL. GOULDS WATER TECHNOLOGY ACCEPTS NO LIABILITY FOR DAMAGES OR OPERATING DISORDERS WHICH ARE THE RESULT OF NON-COMPLIANCE WITH THE OPERATING INSTRUCTIONS.

1. This manual is intended to assist in the installation, operation and repair of the system and must be kept with the system.
2. Installation and maintenance **MUST** be performed by properly trained and qualified personnel.
3. Review all instructions and warnings prior to performing any work on the system.
4. Any safety decals **MUST** be left on the controller and pump.
5.  **Hazardous voltage** The system **MUST** be disconnected from the main power supply before attempting any operation or maintenance on the

electrical or mechanical part of the system. Failure to disconnect electrical power before attempting any operation or maintenance can result in electrical shock, burns or death.

6.  **Hazardous Pressure** When in operation, the motor and pump could start unexpectedly and cause serious injury.

2: SYSTEM COMPONENTS

Please review the Aquavar ABII components and insure that you have all the parts and are familiar with their names. Be sure to inspect all components Goulds Water Technology supplies for shipping damage.

Aquavar ABII:

1. Pump with Motor
2. Aquavar ABII Controller with Integral Pressure Sensor Cable
3. Pressure Tank (supplied on some models)
4. Pressure Sensor
5. Mounting Kit
6. Tank Tee with Pipe Plug
7. Pressure Gauge

WARNING



DO NOT power the unit or run the pump until all electrical and plumbing connections, especially the pressure sensor connection, are completed. The pump should not be run dry. All electrical work must be performed by a qualified technician. Always follow the National



Electrical Code (NEC), or the Canadian Electrical Code (CEC) as well as all local, state and provincial codes. Code questions should be directed to your local electrical inspector. Failure to follow electrical codes and OSHA safety standards may result in personal injury or equipment damage. Failure to follow manufacturer's installation instructions may result in electrical shock, fire hazard, personal injury, death, damage to equipment, unsatisfactory performance and may void manufacturer's warranty.

3: SYSTEM DESIGN

NOTE: Systems **MUST** be designed by qualified technicians only and meet all applicable state and local code requirements.

The following diagrams show a typical system using the Aquavar ABII Constant Pressure System. Connection can be made directly to a water supply or water can be drawn from a supply tank. Diagram #1 shows a typical set up for a supply tank.

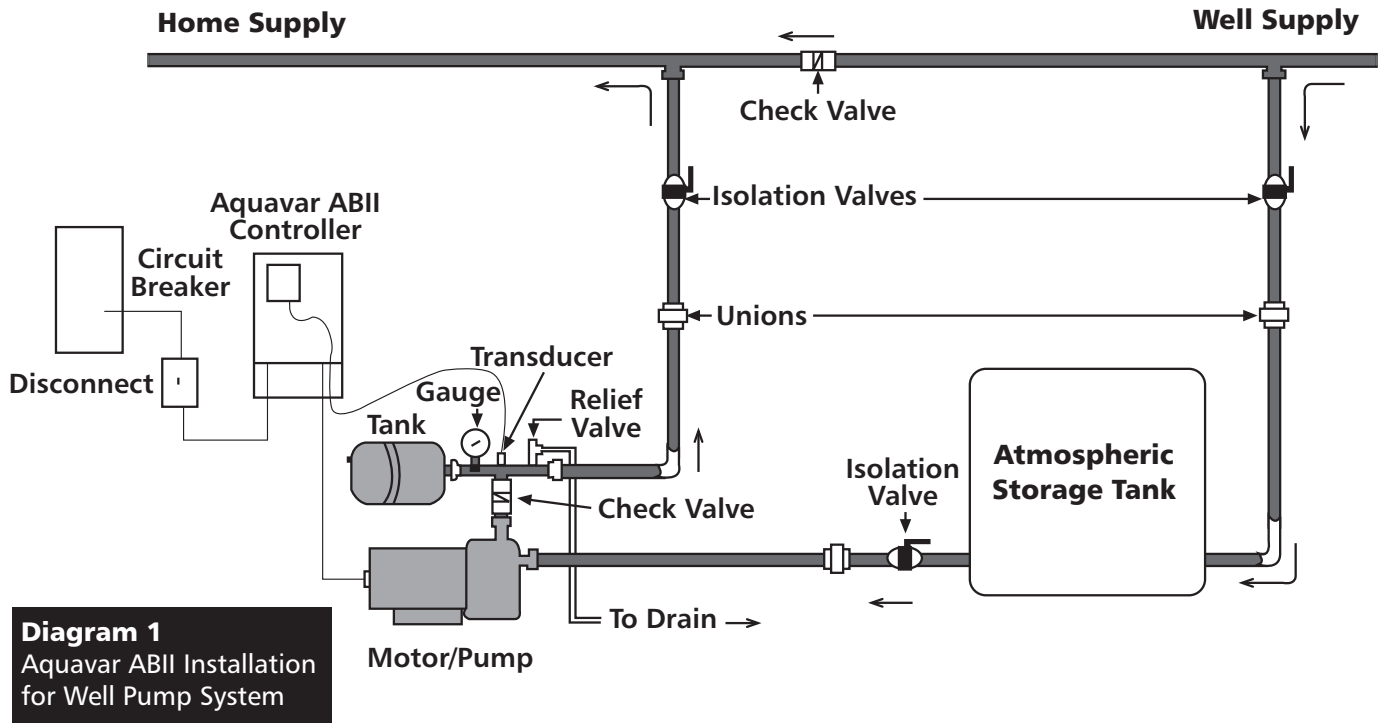
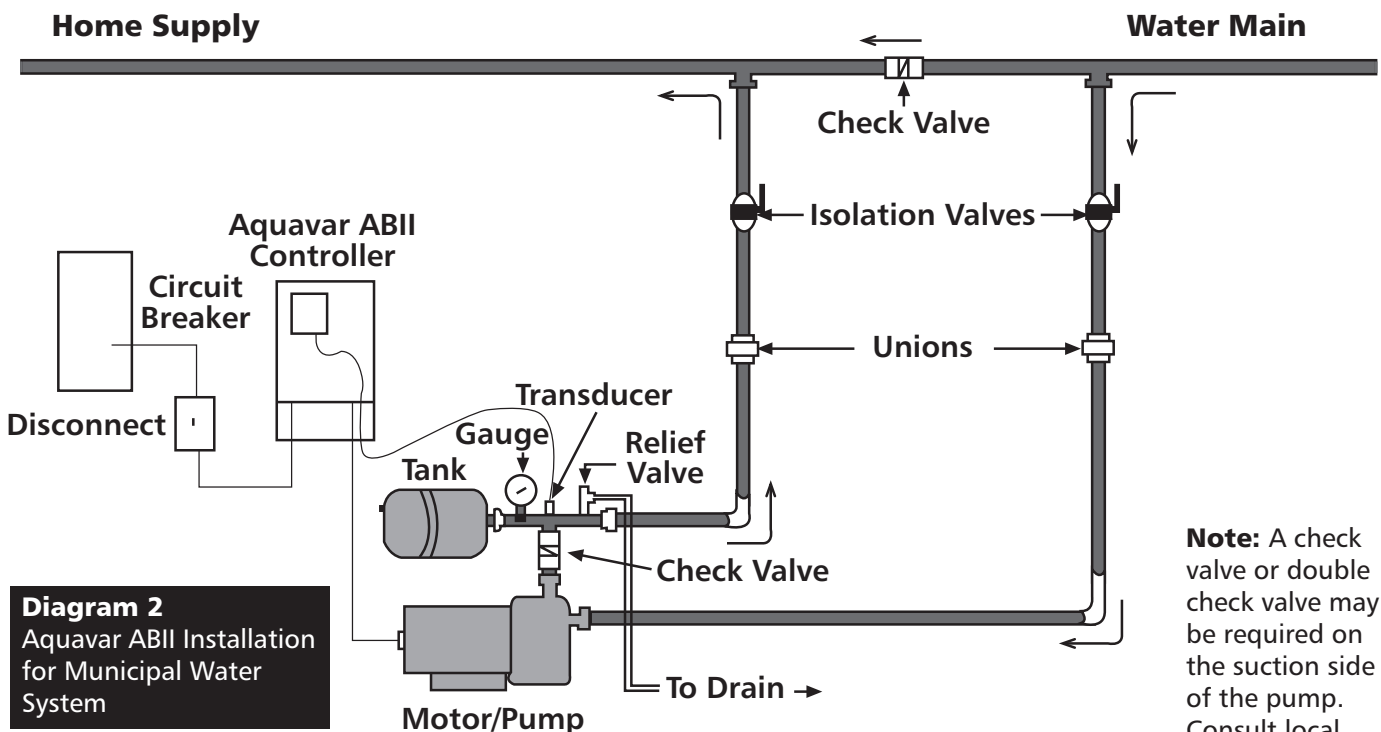


Diagram #2 shows a set-up for municipal water connection. This allows pump maintenance without main line shut-off.



Note: A check valve or double check valve may be required on the suction side of the pump. Consult local codes.

4: PIPING

General

NOTE: All plumbing work must be performed by a qualified technician. Always follow all local, state and provincial codes.

A proper installation requires a pressure relief valve, a 1/4" female N.P.T. threaded fitting (found on tank tee) for the pressure sensor, and properly sized pipe. Piping should be no smaller than the pump discharge and/or suction connections. Piping should be kept as short as possible. Avoid the use of unnecessary fittings to minimize friction losses.

CAUTION Hazardous Pressure Some pump and motor combinations supplied with this system can create over 200 PSI. Select pipe and fittings accordingly per your pipe suppliers' recommendation. Consult local codes for piping requirements in your area.

All joints must be airtight. Use Teflon tape or another type of pipe sealant to seal threaded connections. Please be careful when using thread sealant as any excess that gets inside the pipe may plug the pressure sensor.

Galvanized fittings or pipe should never be connected directly to the stainless steel discharge head or casing as galvanic corrosion may occur. Barb type connectors should always be double clamped.

Pressure Tank, Pressure Relief Valve and Discharge Piping

The standard Hydro-Pro tanks have a pre-charge of 38 PSI. You may set the tank pre-charge anywhere between this value and 10 PSI below the system operating pressure. Use the higher tank pre-charge setting if the system drifts over 5 PSI at a constant flow rate. Use only "pre-charged" tanks on this system. Do not use galvanized tanks. Select an area that is always above 34° F (1.1° C) in which to install the tank and pressure relief valve. If this is an area where a water leak or pressure relief valve blow-off may damage property, connect a drain line to the pressure relief valve. Run the drain line from the pressure relief valve to a suitable drain or to an area where water will not damage property. Use the supplied tank tee to connect the discharge pipe to the pressure tank and house plumbing. It is allowable to pump to multiple locations.

WARNING Maximum working pressure of most HydroPro tanks is 125 psi. Check the tank label or instruction manual to verify data.

Installing the Pump

WARNING Hazardous voltage **CAUTION** Hazardous Pressure **WARNING:** Risk of electric shock - This pump system has not been investigated for use in swimming pool areas.

CAUTION Hazardous Pressure Plumb suction and discharge of pump into piping. Locate the pump as near liquid

source as possible. When pumping out of an atmospheric tank locate the pump below the level of the liquid in the tank. All piping must be supported independently of the pump. Be sure that suction and discharge piping are in line with the suction and discharge of the pump. Install a check valve between the discharge of the pump and the pressure sensor and tank. For additional information refer to Installation, Operation and Maintenance Instructions supplied with the pump.

Installing the Pressure Sensor

Install the pressure sensor in the tank tee provided with the unit. The pressure sensor cable supplied with the controller is 120 inches long. Locate the controller so there will be enough cable to properly install the pressure sensor.

CAUTION Hazardous Pressure Do not install any shut-off valves, filters or flow/pressure control devices (except for a check valve) between the pressure sensor and the discharge of the pump as this could create a hazardous situation.

Use ONLY the pressure sensor provided with the unit. Install the pressure sensor into one of the 1/4" holes on the tank tee provided in the kit. Install the pressure sensor vertically to avoid accumulation of debris in the sensor port. Do not install the tank tee with the 1/4" holes facing down. Align the connector on the end of the pressure sensor cable with the mating connector on the pressure sensor and push it on. The tab will lock it in place. Prevent water from following the cable and entering sensor connector by creating a "drip loop" in the cable.

5: MOUNTING THE CONTROLLER

General

Mount the controller in a well ventilated, shaded area using the supplied mounting kit. The controller must be mounted vertically. Be sure to leave 8 inches of free air space on every side of the unit. The controller must be in an area with an ambient between 34° F (1.1° C) and 104° F (40° C). Model 2AB2 will automatically decrease (derate) the maximum output current of the drive (6.9A) if the ambient temperature exceeds 104° F (40° C). The maximum output current of the drive will be decreased by 0.069A for every degree Fahrenheit above 104° F, or -1%/° F. The maximum output current of the drive will be decreased by 0.12A for every degree Celsius above 40° C, or -1.75%/° C. Model 1AB2 does not require ambient derating and will maintain a maximum output current of 4.2A in high ambient temperatures. If installation is more than 3300 feet above sea level, drive output should also be derated by 2% per 1000 feet above 3300 feet.

NOTE: Do not block the heat sink (fins) and do not set anything on the units.



The controller access cover should always be securely fastened to the control box due to the dangerous voltage/shock hazard inside the unit.

6: POWER SUPPLY AND WIRING

Power Supply



The 1151AB2 Controller requires a single phase power supply of 115 volts +/- 15%. The 1AB2 and 2AB2 Controllers require a single phase power supply of 230 volts +/- 15%. All controllers require a dedicated 20 amp two-pole circuit breaker. A dedicated circuit means no other appliances use the same circuit! The output power from the motor controller is three-phase, variable frequency and variable voltage. Maximum output voltage and frequency are line input voltage and 60 Hz, respectively. Low supply voltage will reduce pump performance.

NOTE: Installation and maintenance MUST be performed by properly trained and qualified personnel. Always follow the National Electric Code or Canadian Electric Code, as well as all local, state and provincial codes when wiring the system.

Wire and Conduit

Do not use wire smaller than 14 AWG. Use of Metal Conduit with Metal Conduit Connectors is recommended for all electrical connections.

Output Power Connections



Connect the motor leads for 230 volt or 208 volt operation using the nameplate as a reference. Connect the output power leads from the controller to the 3 motor leads in the conduit box on the motor. Connect the ground (green) output power lead to the ground screw in the conduit box on the motor. This step is performed in its entirety at the factory for complete systems. See diagram 4 for details.

NOTE: If the pump has more than 50 feet of wire from the controller, consult factory for selection of an output load filter (load reactor).

Connecting Input Power



Connect the single-phase power supply leads and Safety Ground wire from a 20 amp two-pole circuit breaker (in the OFF position) to one side of a 20-amp two-pole disconnect switch. Connect the input power leads supplied with the controller to the other side of the disconnect switch. Be sure to use Metal Conduit with Metal Conduit Connectors for electrical connections.



The controller has a high leakage current to ground. The terminals marked "GND" in the controller must be connected to the safety ground from the electrical service entrance. Failure

to properly ground the controller or motor will create an electrical shock hazard.

NOTE: Do not use GFCI protection with this controller. Nuisance tripping will result.

7: STARTING THE SYSTEM



Status Code Indicator Light is not a voltage indicator! Always turn off disconnect switch and circuit breaker before servicing.



Once the controller is powered it will remain electrically charged for 5 minutes after power is turned off. Wait 5 minutes after disconnecting power before opening controller access cover as there is a severe shock hazard.

Setting the Motor Overload Switches



When the unit is powered, the Motor Overload Setting Switches are at a high voltage potential. DO NOT touch the Motor Overload Setting Switches while the power is on.

The Motor Overload Setting Switches adjust the level of motor overload current protection needed to protect the motor from damage due to overcurrent conditions. Turn the circuit breaker and disconnect switch to the off position, and wait 5 minutes. Remove controller access cover. On the inside of the access cover is the Motor Overload Setting table. See Diagram 6 for details. This table shows the switch setting for the desired Motor Overload Setting. Read the Service Factor Amps off the motor nameplate. Use the Motor Overload Setting table to match the Service Factor Amps (SF Amps) of the motor to the correct switch setting. See Diagram 5 for details. Set the Motor Overload Switches according to the correct combination on the table. If the Service Factor Amps of the motor do not match any of the Motor Overload Settings, use the next lowest switch setting. See Diagram 3 for details.

NOTE: The Motor Overload Setting Switches are preset at the factory for complete systems.



Failure to perform this step will result in loss of Motor Overload Protection and will void the Motor Warranty. Nuisance Motor Overload Error tripping or motor damage can occur if these switches are not set properly.


Setting the Pressure

Turn the circuit breaker and disconnect switch to the off position, and wait 5 minutes. Remove controller access cover. Open a faucet in the system and turn the breaker/disconnect switch to the ON position. The pump will start and pressure will increase to the factory preset 50 PSI. After the pressure has stabilized, use the Increase/Decrease Pressure Adjust Pushbuttons on the right-hand side of the controller to adjust the pressure setting.

Push and Hold the Increase or Decrease Pressure Adjust Pushbutton until the desired pressure setting is reached. The new pressure setting is automatically saved. Close the faucet and turn power to controller off. Wait 5 minutes before installing the controller access cover.

NOTE: The maximum allowable pressure setting is 85 psi.

Setting the Application Switches

 When the unit is powered, the Application Setting Switches are at a high voltage potential. **DO NOT** touch the Application Setting Switches while the power is on.

The controller has 6 possible Application Settings. These settings are used to adjust the Minimum Speed of the motor and the Ramp Setting, or acceleration and deceleration ramp. This allows the controller to fit a wide range of applications.

Before adjusting the Application Switches, turn the circuit breaker and disconnect switch to the off position. Wait 5 minutes. Remove the controller access cover. On the inside of the access cover is the Application Switch Setting Table. *See Diagram 6 for details.* This table shows the switch setting needed for the desired system response. *See Diagram 3 for details.*

Select a Minimum Speed of 10 Hz if the pressure at the pump's suction is within 20 PSI of the desired pressure setting. Select a Minimum Speed of 30Hz if the pressure at the pump's suction is more than 20 PSI below the desired pressure setting, if pumping from a tank or if drawing a suction lift.

Changing the Ramp Setting changes how fast the controller can change the speed of the motor. A Slow Ramp Setting allows the controller to work better in applications where the average demand for water is low (less than 3GPM or about 1 faucet). A Fast Ramp Setting allows the controller to work better in applications where the demand for water is high because the motor is allowed to change speed faster.

NOTE: The Application Switches are preset at the factory to "0000" or Minimum Speed = 30 Hz, Ramp Setting = Fast.


Motor Rotation Direction

If the pressure or flow seems low, check motor rotation direction. Turn the circuit breaker and disconnect switch to the off position, and wait 5 minutes. Switch any two leads on the controller output (T1, T2, or T3). Turn the circuit breaker and disconnect switch to the on position. Observe pressure and flow. If pressure or flow still seems low check plumbing.

NOTE: It is possible for the pump to maintain constant pressure with a low flow or a high positive suction head even if the pump is rotating backwards. While the pump is running, use an amp probe on one of the output power leads connected to the motor and compare the current draw between the two rotation directions. The lowest current reading indicates the pump is running in the correct direction.

System Status

The controller is always powered. A Solid Green Status Code indicates that the pump is in standby mode (pump not running) or that the line input voltage is low.

 Status Code Indicator Light is not a voltage indicator! Always turn off disconnect switch and circuit breaker and wait 5 minutes before servicing.

A Blinking Green Status Code indicates that the pump is running. A Blinking or Solid Red Light indicates a problem with the controller. Refer to the access cover side panel or Diagram 6 for Status Codes. *See Section 9 for more details.*

8: DIAGRAMS

Motor Overload and Application Switch Setting

⚠ DANGER
Hazardous
voltage

When the unit is powered, the Motor Overload and Application Setting Switches are at a high voltage potential. Always turn off the disconnect switch and circuit breaker and wait 5 minutes before touching the Motor Overload or Application Setting Switches.

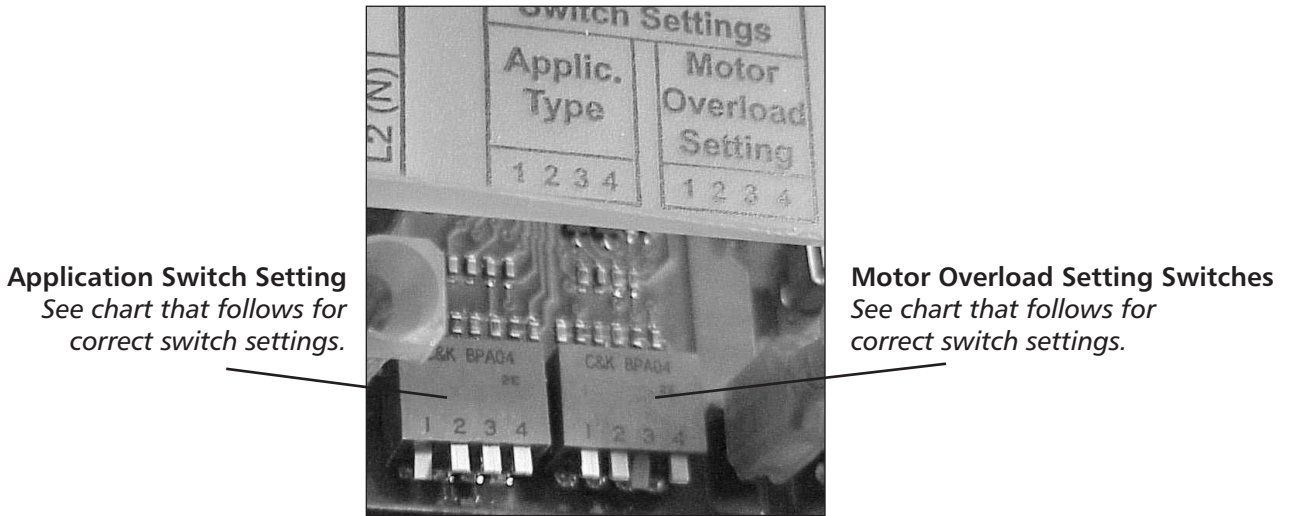
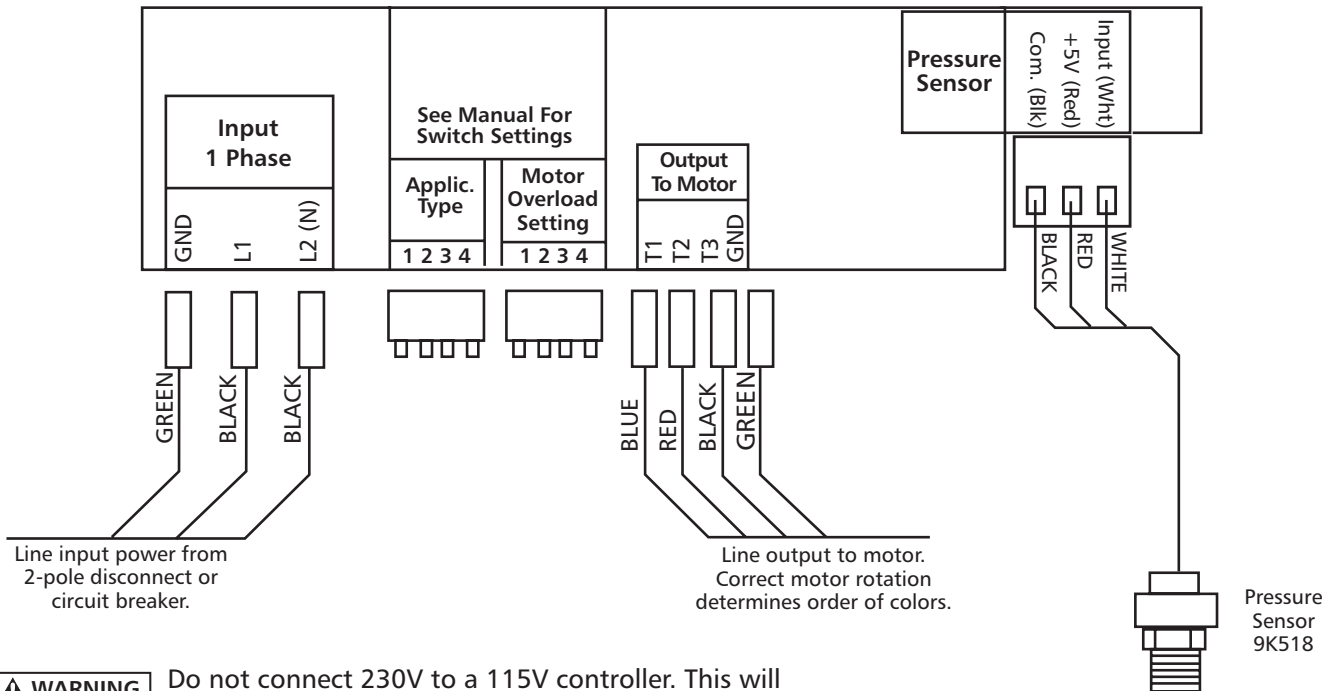


Diagram 3

Aquavar ABII Wiring Diagram



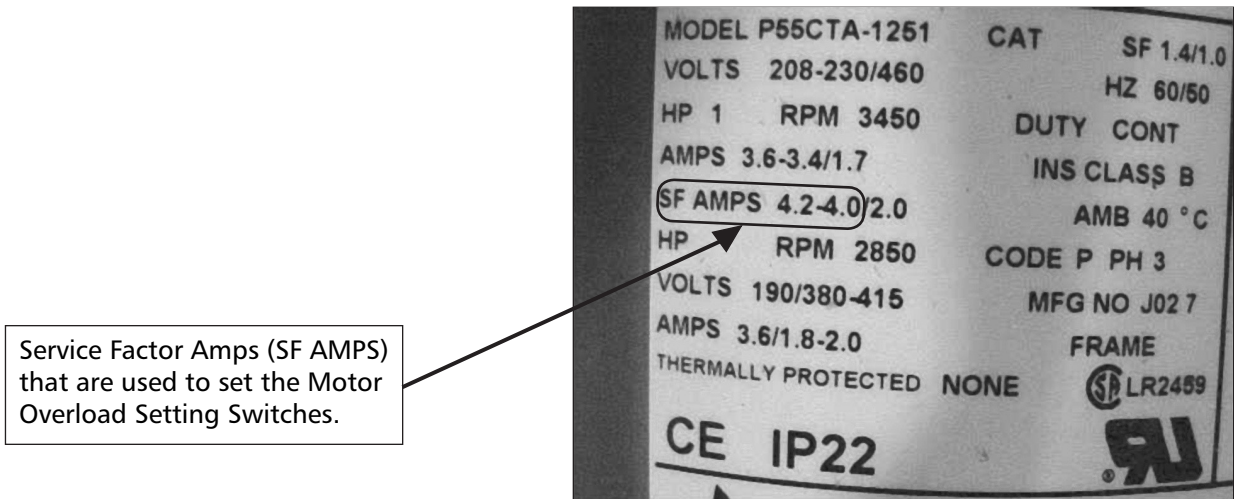
⚠ WARNING

Do not connect 230V to a 115V controller. This will damage the controller and voids the warranty.

Diagram 4

8: DIAGRAMS (continued)

Typical Motor Nameplate Showing Service Factor Amps (SF AMPS)



In this example, use the 4.2 Amp setting indicated on the Motor Overload Setting Table. This setting is used to account for any voltage fluctuation.

Diagram 5

Labels found on the Controller Access Cover:

Motor Overload Setting		
⚠ WARNING		
Disconnect Power And Wait For LED Indicator To Turn Off Before Touching Motor Overload Setting Switches.		
1 = UP		0 = DOWN
DIP Switch Setting	Motor Overload Setting (Amps)	
1 2 3 4	1AB2	2AB2
1 1 1 1	2.5	4.6
1 1 1 0	2.8	5.2
1 1 0 1	3.3	5.3
1 0 1 1	3.5	5.8
0 1 1 1	3.8	6.5
0 0 0 0	4.2	6.9

Motor Overload Setting Label

Use this label to choose the correct Motor Overload Switch Setting. This label is found under the controller access cover.

Application Type Switch Setting		
⚠ WARNING		
Disconnect Power And Wait For LED Indicator To Turn Off Before Touching Application Setting Switches.		
DIP Switch Setting		1 = UP 0 = DOWN
1 2 3 4	Minimum Speed (Hz)	Ramp Setting
1 1 1 1 *	10	Slow
1 1 1 0 *	10	Medium
1 1 0 1 *	10	Fast
1 0 1 1	30	Slow
0 1 1 1	30	Medium
0 0 0 0	30	Fast
*THESE SETTINGS ARE NOT TO BE USED WITH SUBMERSIBLE PUMPS.		

Status Codes*	
Green Light Codes	
Constant	Standby/Low Voltage
Blinking	Pump Running
Red Light Codes	
Constant	Replace Controller
1 Blink	No Water/Loss Of Prime
2 Blinks	Tank Water-Logged
3 Blinks	Pressure Sensor Fault
4 Blinks	Pump or Motor Bound
5 Blinks	Short Circuit
6 Blinks	Ground Fault
7 Blinks	High Temperature
8 Blinks	Over Voltage (>264V)
9 Blinks	Motor Overload
*No Light - No/Very Low Voltage	

Status Code Label

Use this label to diagnose any system errors.

This label is found on the side of the controller access cover.

Application Switch Setting Label

Use this label to choose the correct Application Switch Setting. This label is found under the controller access cover.

Diagram 6

9: TROUBLESHOOTING

General

The Aquavar ABII is a self-diagnosing controller. If a problem occurs, observe the Status Code Indicator Light on the front of the unit. No Status Code Indicator Light means either no or low input voltage (less than 50 V).

⚠ DANGER
Hazardous voltage

Status Code Indicator Light is not a voltage indicator! Always turn off disconnect switch and circuit breaker and wait 5 minutes before servicing. High voltage may still remain on controller.

Refer to the status code label on the side of the controller access cover to diagnose system errors. *See Diagram 6 for details.*

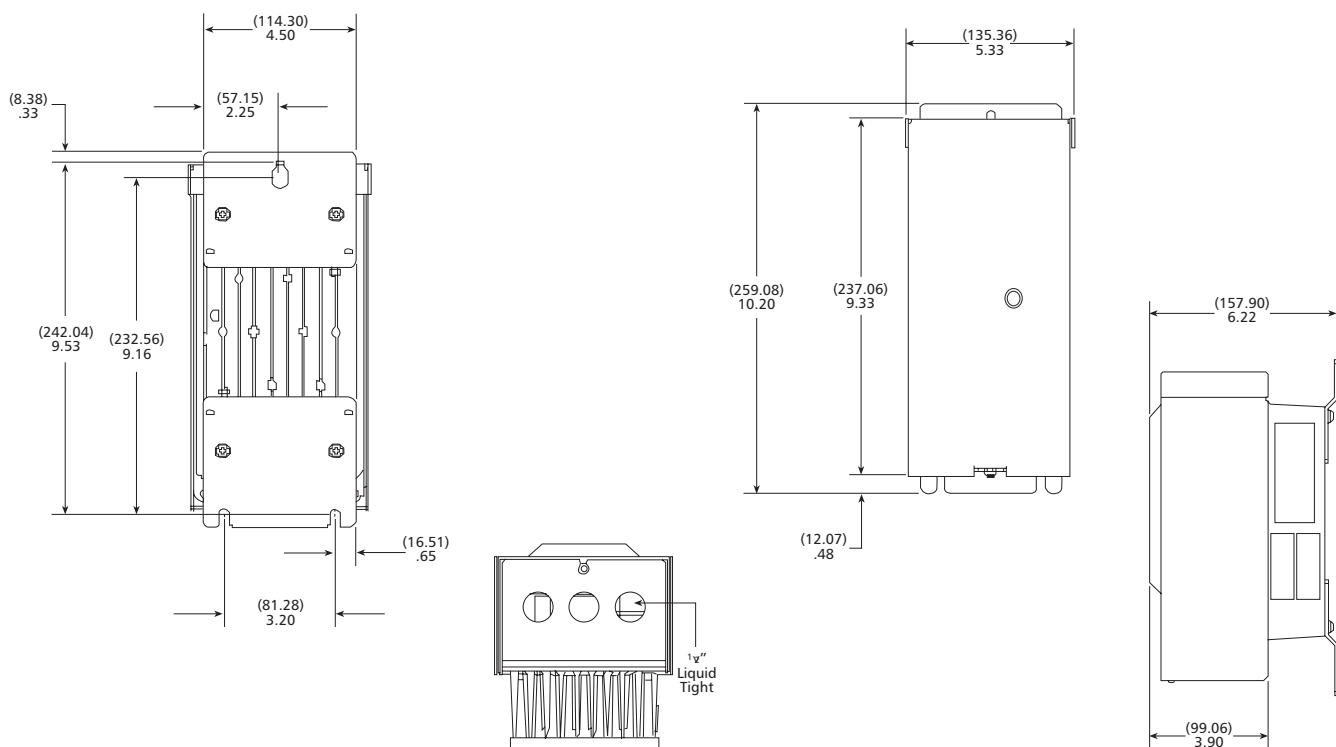
USE THE FOLLOWING TABLE TO HELP TROUBLESHOOT PROBLEMS.

GREEN LIGHT CODES		
Indicator Code	Status	Description
Constant	Standby/Low Voltage	Constant Green Light indicates the pump is off. The system is in Standby mode when there is no flow in the system and the pressure setting has been reached. The system is in a Low Voltage condition when the line input voltage drops below 196VAC for 1AB2 and 2AB2 controllers and 98VAC for 1151AB2 controllers.
Blinking	Pump Running	Flashing Green Light indicates the pump is running. If pump is not running, turn off power to controller and wait 5 minutes . Check output power connections from controller to motor.
RED LIGHT CODES		
Constant	Controller Error	Replace Aquavar ABII Controller
1 Blink	No Water/Loss Of Prime	This fault is indicated if the system pressure drops 5 PSI or more below the set pressure and the output current is less than 75% of the motor overload setting for 10 seconds. The system will automatically restart in 5 minutes. If 3 faults occur in an hour, the system will not restart and will need to be manually reset. If the problem reoccurs, please verify supply capacity, pump capacity, proper setting of the motor overload switches and that there are no restrictions between the supply and the pump.
2 Blinks	Tank Water-Logged	This warning is indicated if there is a drastic drop in system pressure in a short amount of time. The warning will not impact operation. The pump will continue to run. This warning can be caused by low air pressure in the tank or the tank bladder may have failed. This can also be caused by extreme changes in flow. The error is cleared each time the pump starts. If the error reoccurs often, check the air pressure in the tank. Before checking tank air pressure, turn power to control off to prevent pump from turning on. Relieve system pressure by opening a faucet.
3 Blinks	Pressure Sensor Fault	This fault indicates a problem with the pressure sensor feedback. Verify the connections from the Aquavar ABII Controller to the pressure sensor. Turn power to controller off and wait 5 minutes . Remove controller access panel. Be sure sensor cable is wired as shown in Diagram 4. If cable is wired correctly, check the voltage on the Input (White) pressure sensor terminal connection in the Aquavar ABII controller. Using a DC voltmeter, connect the positive lead to the Input (White) pressure sensor terminal connection, connect the negative lead to the Com. (Black) pressure sensor terminal connection. Turn power to controller on. The DC voltage measured should be in the valid range of 0.5 Vdc to 4.5 Vdc (+/- 0.2 Vdc). If the voltage is outside this range, replace pressure sensor.
4 Blinks	Pump or Motor Bound	This fault can be caused by mechanical binding from debris in pump or from an electrical failure in the motor. Verify the error by turning power to controller off for 1 minute and then on. Pump must be checked if error persists.

9: TROUBLESHOOTING (continued)

RED LIGHT CODES		
Indicator Code	Status	Description
5 Blinks	Short Circuit	Check wiring for shorting phase to phase and phase to ground. Turn power to controller off and wait 5 minutes. Remove controller access panel. Disconnect motor leads marked T1, T2, and T3. Measure resistance between all motor leads using an ohmmeter. NOTE: Motor winding resistance is typically 2 to 10 OHMS depending on motor.
6 Blinks	Ground Fault	Check wiring for shorting phase to ground. Turn power to controller off and wait 5 minutes. Remove controller access panel. Disconnect motor leads T1, T2, T3, and Ground from controller. Measure resistance between all motor leads and ground using a Megohmmeter. Connect one Megohmmeter lead to any one of the motor leads and the other to ground lead. Set Megohmmeter to 500V DC output. Resistance readings less than 500,000 ohms or 0.5 Megohms indicate a damaged motor.
7 Blinks	High Temperature	This fault is caused by a high temperature inside of the controller. The controller will shut off when the temperature inside the controller reaches 158° F (70° C). The controller will turn back on when the temperature inside the controller reaches 150° F (65.5° C). Avoid installing the controller where ambient temperatures exceed 104° F (40° C). Avoid installing the controller where it is exposed to direct sunlight.
8 Blinks	Over Voltage	Measure input voltage using an AC voltmeter. Connect the positive and negative leads to L1 and L2 on the Aquavar ABII controller. Verify line input voltage is not greater than 264 VAC for 1AB2 and 2AB2 controllers and 132VAC for 1151AB2.
9 Blinks	Motor Overload	This fault is indicated when the current supplied to the motor exceeds the Motor Overload Setting on the Aquavar ABII controller. Refer to Section 7, <i>Setting the Motor Overload DIP Switches</i> for details. If switches are set according to Section 7, check motor.

10: CONTROLLER DIMENSIONS



GOULDS WATER TECHNOLOGY LIMITED WARRANTY

This warranty applies to all water systems pumps manufactured by Goulds Water Technology.

Any part or parts found to be defective within the warranty period shall be replaced at no charge to the dealer during the warranty period. The warranty period shall exist for a period of twenty-four (24) months from date of installation or thirty (30) months from date of manufacture, whichever period is shorter.

A dealer who believes that a warranty claim exists must contact the authorized Goulds Water Technology distributor from whom the pump was purchased and furnish complete details regarding the claim. The distributor is authorized to adjust any warranty claims utilizing the Goulds Water Technology Customer Service Department.

The warranty excludes:

- (a) Labor, transportation and related costs incurred by the dealer;
- (b) Reinstallation costs of repaired equipment;
- (c) Reinstallation costs of replacement equipment;
- (d) Consequential damages of any kind; and,
- (e) Reimbursement for loss caused by interruption of service.

For purposes of this warranty, the following terms have these definitions:

- (1) "Distributor" means any individual, partnership, corporation, association, or other legal relationship that stands between Goulds Water Technology and the dealer in purchases, consignments or contracts for sale of the subject pumps.
- (2) "Dealer" means any individual, partnership, corporation, association, or other legal relationship which engages in the business of selling or leasing pumps to customers.
- (3) "Customer" means any entity who buys or leases the subject pumps from a dealer. The "customer" may mean an individual, partnership, corporation, limited liability company, association or other legal entity which may engage in any type of business.

THIS WARRANTY EXTENDS TO THE DEALER ONLY.



Xylem, Inc.
2881 East Bayard Street Ext., Suite A
Seneca Falls, NY 13148
Phone: (800) 453-6777
Fax: (888) 322-5877
www.xylem.com/brands/gouldswatertechnology

Goulds is a registered trademark of Goulds Pumps, Inc. and is used under license.
Aquavar ABII is a trademark of Xylem Inc. or one of its subsidiaries.
© 2011 Xylem Inc. IM156 Revision Number 4 September 2011



MODELOS CUBIERTOS:

1151AB2 (115V, 4.2A), 1AB2 (230V, 4.2A),
2AB2 (230V, 6.9A)

Controlador Aquavar ABII

CONTROL DE BOMBA DE VELOCIDAD VARIABLE

MANUAL DE INSTALACIÓN, OPERACIÓN Y RESOLUCIÓN DE PROBLEMAS

Información del propietario

Número de Modelo del Controlador: _____
Número de serie del Controlador: _____
Número de modelo de la Bomba: _____
Número de serie de la Bomba: _____
Número de modelo del motor de la Bomba: _____
SFA del motor: _____
Número de serie del Tanque: _____
Instalador: _____
Número de teléfono del instalador: _____
Fecha de instalación: _____
Largos de cable (pies)
Entrada de servicio al controlador: _____
Controlador al motor: _____
Tensión de entrada: _____

Tabla de contenido

<u>ASUNTO</u>	<u>PÁGINA</u>
1. Instrucciones importantes de seguridad	15
2. Componentes del sistema	15
3. Diseño del sistema.....	16
4. Tuberías.....	17
5. Montaje del controlador.....	17
6. Fuente de alimentación y cableado	18
7. Arranque del sistema	18-19
8. Diagramas	20-21
9. Identificación y resolución de problemas	22-23
10. Dimensiones del controlador.....	24
11. Garantía limitada.....	24

AVISO: REGISTRE LOS NÚMEROS DE MODELO Y DE SERIE DE LA BOMBA Y DEL CONTROLADOR EN ESTE MANUAL DE INSTRUCCIONES PARA CONSULTA FUTURA. DÉSELO AL PROPIETARIO O SUJÉTELO AL CONTROLADOR AL FINALIZAR LA INSTALACIÓN.

NOTA:

- Utilice exclusivamente cables de cobre.
- Adecuado para usarse en un circuito que pueda suministrar 5000 RMS de amperes simétricos. Los circuitos de derivaciones están protegidos por medio de fusibles.
- Adecuado para usarse en un microambiente con una contaminación del grado 2.
- La protección de sobrecarga del motor está establecida a 110% de la corriente nominal.
- Para poder conservar la clasificación ambiental de la cubierta, se deben cerrar todas las aperturas de los equipos con clasificación 3, 3R, RS, 4, 4X, 6 o 6P.
- La temperatura ambiental que se admite como máximo es de 50°C.

1: INSTRUCCIONES DE SEGURIDAD

PARA EVITAR LESIONES PERSONALES GRAVES O FATALES O DAÑOS SIGNIFICATIVOS A LA PROPIEDAD, LEA Y RESPETE TODAS LAS INSTRUCCIONES DE SEGURIDAD EN EL MANUAL Y EN EL EQUIPO.

LA FINALIDAD DE ESTE MANUAL ES AYUDAR EN LA INSTALACIÓN Y OPERACIÓN DE ESTA UNIDAD Y SE DEBE GUARDAR EL MISMO CON LA UNIDAD.



Este es un **SÍMBOLO DE ALERTA DE SEGURIDAD**. Al ver este símbolo en la bomba, el controlador o en el manual, busque una de las siguientes palabras de señal y esté alerta al potencial de lesión personal o daños a la propiedad.

PELIGRO

Indica una situación posiblemente peligrosa la cual, si no se evita, podría producir lesiones graves o aún la muerte.

ADVERTENCIA

Indica una situación inminentemente peligrosa la cual, si no se evita, producirá lesiones graves o aún la muerte.

PRECAUCIÓN

Indica una situación posiblemente peligrosa la cual, si no se evita, podría producir lesiones menores o moderadas.

PRECAUCIÓN

Utilizado sin un símbolo de alerta de seguridad indica una situación posiblemente peligrosa la cual, si no se evita, podría causar daños materiales.

NOTA: INDICA INSTRUCCIONES ESPECIALES QUE SON MUY IMPORTANTES Y DEBEN SER SEGUIDAS.

LEA DETENIDAMENTE TODAS LAS INSTRUCCIONES Y ADVERTENCIAS ANTES DE REALIZAR CUALQUIER TRABAJO EN ESTE CONTROLADOR.

MANTENGA TODAS LAS CALCOMANÍAS DE SEGURIDAD.

EL PERSONAL DE OPERACIONES DEBE LEER, ENTENDER Y SEGUIR TODAS LAS INSTRUCCIONES DE OPERACIÓN. GOULDS WATER TECHNOLOGY NO ACEPTA NINGUNA RESPONSABILIDAD POR DAÑOS Y PERJUICIOS O PROBLEMAS DE FUNCIONAMIENTO QUE SEAN EL RESULTADO DE NO CUMPLIR CON LAS INSTRUCCIONES DE OPERACIÓN.

1. El objetivo de este manual es ayudar en la instalación, operación y reparación del sistema y debe ser mantenido con el mismo.
2. La instalación y el mantenimiento **DEBEN** ser realizados por personal apropiadamente capacitado y competente.
3. Revise todas las instrucciones y advertencias antes de realizar cualquier trabajo en el sistema.
4. No **DEBE** quitarse ningún rótulo de seguridad de la bomba o del controlador.
5. **PELIGRO** El sistema **DEBE** desconectarse de la fuente de alimentación principal antes de intentar cualquier operación o manten-

Tensión peligrosa

imiento en la sección eléctrica o mecánica del sistema. Si no se desconecta la corriente antes de intentar realizar operaciones o mantenimiento, se pueden producir quemaduras, electrochoque o aún la muerte.

6. **CUIDADO** Cuando están en operación, el motor y la bomba podrían arrancar inesperadamente y producir lesiones graves.
Presión Peligrosa

2: COMPONENTES DEL SISTEMA

Inspeccione los componentes del sistema Aquavar ABII y asegúrese de que tenga todas las partes y que esté familiarizado con sus nombres. Asegúrese de inspeccionar todos los componentes suministrados por Goulds Water Technology para determinar si resultaron dañados durante el envío.

Aquavar ABII:

1. Bomba con motor
2. Controlador Aquavar ABII con cable de sensor de presión integral
3. Tanque de presión (provisto en algunos modelos)
4. Sensor de presión
5. Juego de montaje
6. Perfil T de tanque con tapón para tubo
7. Indicador de presión

ADVERTENCIA

ADVERTENCIA
Tensión peligrosa

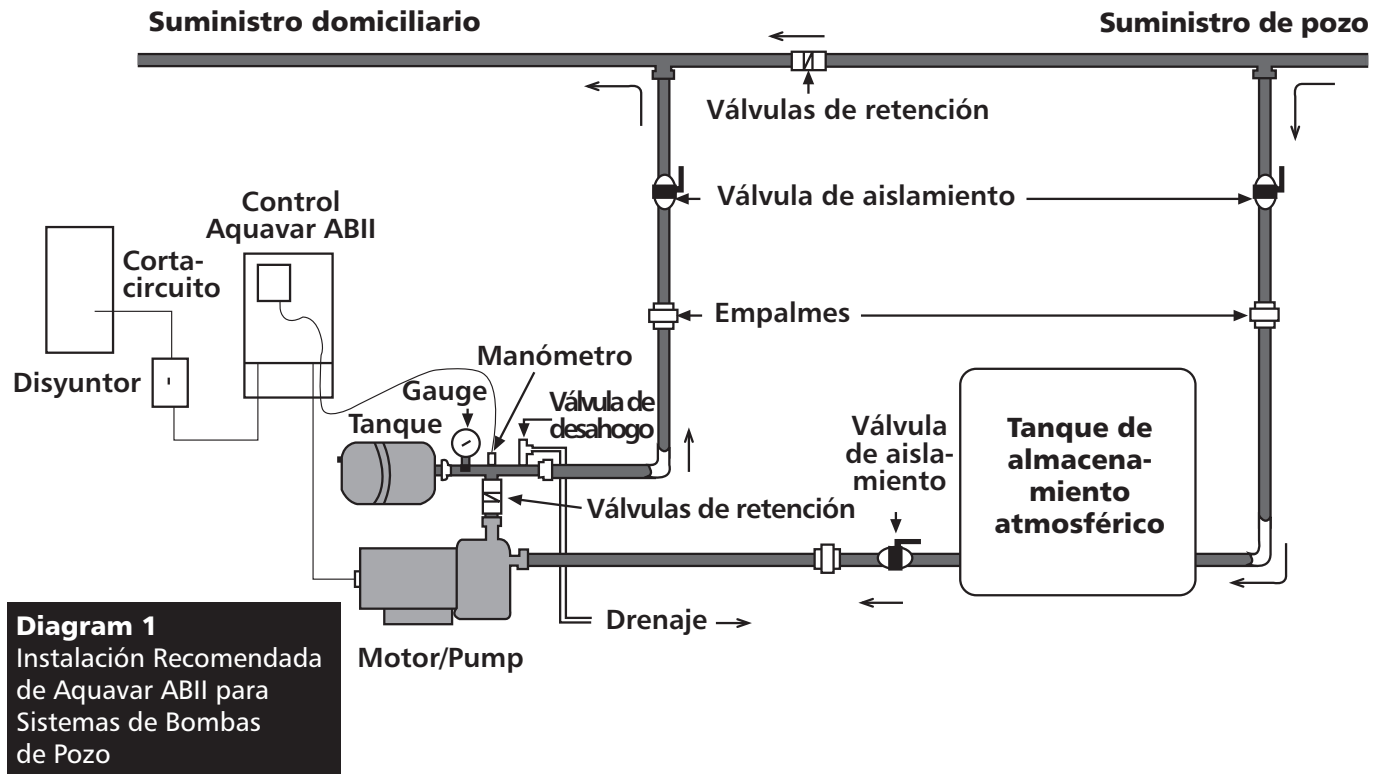
PRECAUCIÓN
Presión Peligrosa

NO energice la unidad ni haga funcionar la bomba hasta que se hayan completado todas las conexiones eléctricas y de tuberías, especialmente la conexión del sensor de presión. La bomba no debe hacerse funcionar en seco. Todo el trabajo eléctrico debe ser realizado por un técnico calificado. Siempre siga el Código Eléctrico de EE.UU. (NEC) o el Código Eléctrico Canadiense (CSA), además de todos los códigos locales, estatales y provinciales. Las preguntas acerca del código deben ser dirigidas al inspector eléctrico local. Si se hace caso omiso a los códigos eléctricos y normas de seguridad de OSHA, se pueden producir lesiones personales o daños al equipo. Si se hace caso omiso a las instrucciones de instalación del fabricante, se puede producir electrochoque, peligro de incendio, lesiones personales o aún la muerte, daños al equipo, rendimiento insatisfactorio y podría anularse la garantía del fabricante.

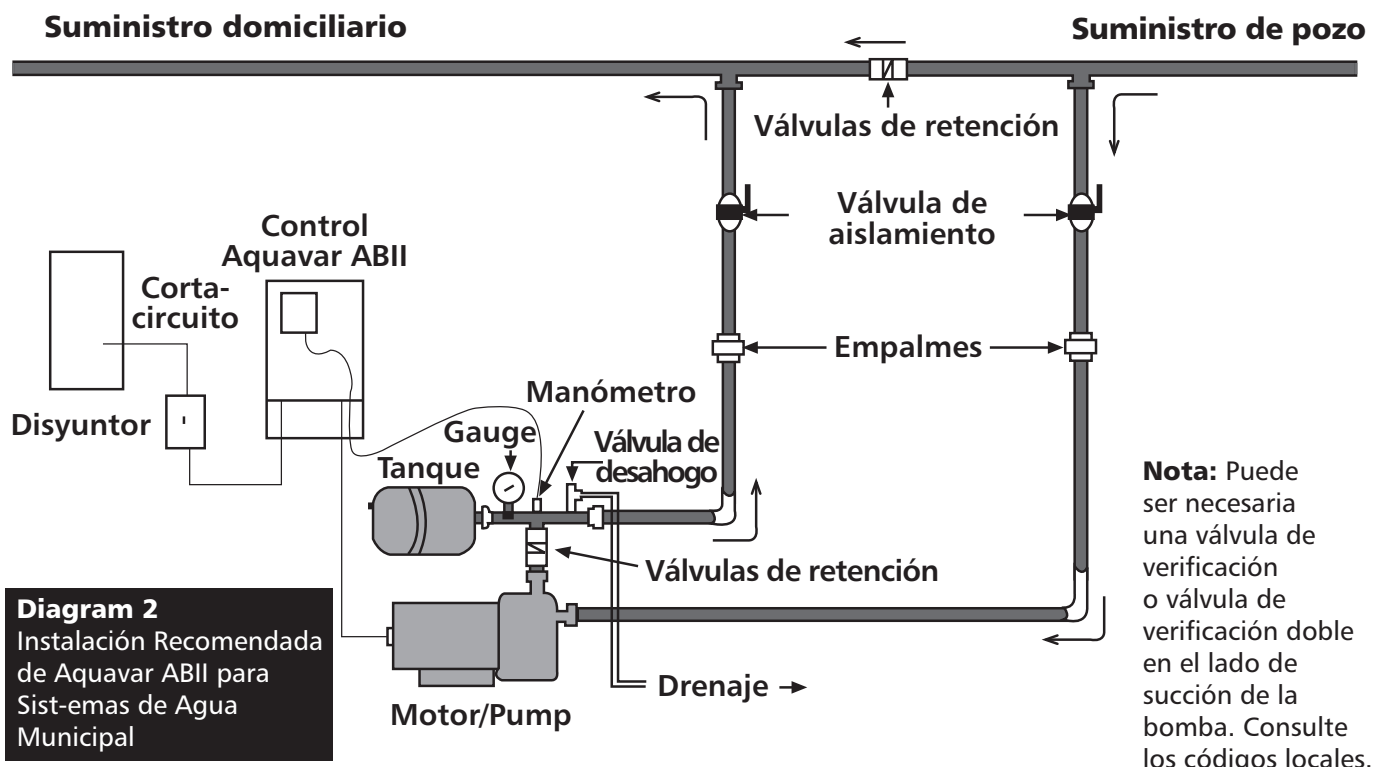
3: DISEÑO DEL SISTEMA

NOTA: Los sistemas DEBEN ser diseñados por técnicos capacitados únicamente y cumplir con todos los requerimientos de los códigos estatales y locales correspondientes.

Los siguientes diagramas muestran un sistema típico que utiliza el sistema de presión constante Aquavar ABII. Puede hacerse la conexión directamente a un suministro de agua o puede extraerse agua de un tanque de suministro. El diagrama #1 muestra una instalación típica de un tanque de suministro.



El diagrama #2 muestra una instalación típica para una conexión de agua municipal. Esto permite mantener la bomba sin tener que cerrar la línea principal.



4: TUBERÍAS

Generalidades

NOTA: Todo el trabajo de plomería debe ser realizado por un técnico calificado. Siempre cumpla con todos los códigos locales, estatales y provinciales.

Una instalación apropiada requiere una válvula de alivio de presión, un accesorio roscado N.P.T. hembra de ¼ pulgada (encontrado en el perfil T del tanque) para el sensor de presión y tubería de tamaño apropiado. La tubería no debe ser más pequeña que las conexiones de descarga o succión de la bomba. La tubería debe mantenerse lo más corta posible. Evite utilizar accesorios innecesarios para reducir al mínimo las pérdidas por fricción.

PRECAUCIÓN Presión Peligrosa Algunas combinaciones de bomba y motor suministradas con este sistema pueden crear más de 200 PSI. Seleccione las tuberías y accesorios de acuerdo con la recomendación de su proveedor de tuberías. Consulte los códigos locales con respecto a requisitos de tuberías en su área.

Todas las juntas deben ser herméticas. Utilice cinta de Teflon u otro tipo de sellador de tubos para sellar las conexiones roscadas. Tenga cuidado cuando utilice sellador de roscas ya que cualquier exceso que entre a la tubería podría tapar el sensor de presión.

Los accesorios o tuberías galvanizadas nunca deben conectarse directamente a la carcasa o al cabezal de descarga de acero inoxidable ya que podría producirse corrosión galvánica. Los conectores tipo arpón siempre deben sujetarse con doble abrazadera.

Tanque de presión, válvula de alivio de presión y tubería de descarga

Los tanques Hydro-Pro estándar tienen una carga previa de 38 PSI. Puede ajustar la precarga del tanque a un valor cualquiera entre esta válvula y 10 lbs./pulg. cuadrada por debajo de la presión de operación del sistema. Utilice el valor más alto de precarga del tanque si la presión del sistema varía más de 5 lbs./pulg. cuadrada a una velocidad de flujo constante. Utilice sólo tanques “precargados” en este sistema. No utilice tanques galvanizados. Seleccione un área que siempre esté a más de 34° F (1.1° C) en la cual instalar el tanque y la válvula de alivio de presión. Si éste es un lugar donde una fuga de agua o purga de la válvula de alivio de presión podría producir daños materiales, conecte una línea de drenaje a la válvula de alivio de presión. Conecte una línea de drenaje desde la válvula de alivio de presión a un drenaje apropiado o a un lugar donde el agua no produzca daños materiales. Utilice el perfil T del tanque suministrado para conectar la tubería de descarga al tanque de presión y la cañerías de la casa. Se puede bombear a lugares múltiples.

ADVERTENCIA La presión máxima de funcionamiento de la mayoría de los tanques HydroPro es 125 PSI. Verifique los datos en la etiqueta del tanque o su manual de instrucciones.

Instalación de la bomba

ADVERTENCIA Tensión peligrosa **PRECAUCIÓN** Presión Peligrosa **ADVERTENCIA:** Riesgo de electrochoque – Este sistema de bomba no ha sido evaluado para usarse en áreas de albercas.

PRECAUCIÓN Presión Peligrosa Conecte la succión y descarga de la bomba a una tubería. Asegúrese de instalar una válvula de retención en el lado de succión de la bomba. Deje un mínimo de 6 pulgadas de tubería recta entre la válvula de retención y la succión de la bomba. Sitúe la bomba lo más cerca posible a la fuente de líquido. Cuando bombee desde un tanque atmosférico, sitúe la bomba por debajo del nivel del líquido en el tanque. Todas las tuberías deben estar apoyadas en forma independiente de la bomba. Instale una válvula de verificación entre la descarga de la bomba y el sensor de presión y tanque. Para obtener más información, consulte las instrucciones de instalación, operación y mantenimiento suministradas con la bomba.

Instalación del sensor de presión

Instale el sensor de presión en el perfil T del tanque suministrado con la unidad. El cable del sensor de presión suministrado con el controlador es de 120 pulg. de largo. Sitúe el controlador de manera que haya suficiente cable para instalar correctamente el sensor de presión.

PRECAUCIÓN Presión Peligrosa No instale ninguna válvula de cierre, filtros o dispositivos de control de flujo/presión (excepto una válvula de verificación) entre el sensor de presión y la descarga de la bomba ya que esto podría crear una situación peligrosa.

SÓLO utilice el sensor de presión suministrado con la unidad. Instale el sensor de presión en uno de los agujeros de ¼ pulg. en el perfil T del tanque suministrado con el juego. Instale el sensor de presión verticalmente para evitar la acumulación de detritos en el orificio del sensor. No instale el perfil T del tanque con los agujeros de ¼ pulg. apuntando hacia abajo. Alinee el conector en el extremo del cable del sensor de presión con el conector correspondiente en el sensor de presión e instálelo empujándolo. La lengüeta quedará trabada en posición. Evite que el agua avance por el cable y entre al conector del sensor creando un “lazo de goteo” en el cable.

5: MONTAJE DEL CONTROLADOR

Generalidades

Monte el controlador en un área sombreada y bien ventilada utilizando el juego de montaje suministrado. El controlador debe montarse vertical. Asegúrese de dejar 8 pulgadas de espacio libre a cada lado de la unidad. El controlador debe estar en un lugar con una temperatura ambiente de 34° F (1.1° C) a 104° F (40° C). Consulte con la fábrica acerca de la especificación para reducir la capacidad nominal. Si la instalación es más de 3300 pies sobre nivel del mar, la salida del mecanismo impulsor se

debe también reducir la capacidad normal por el 2% por 1000 pies sobre 3300 pies.

NOTA: No bloquee los disipadores de calor (aletas) y no coloque nada sobre las unidades.

ADVERTENCIA Tensión peligrosa La cubierta de acceso del controlador siempre debe estar firmemente afianzada a la caja de control debido a la tensión peligrosa / peligro de electrochoque en el interior de la unidad.

6: FUENTE DE ALIMENTACIÓN Y CABLEADO

Fuente de alimentación

PELIGRO Tensión peligrosa The 1151AB2 Controller requires a single phase power supply of 115 volts +/- 15%. The 1AB2 and 2AB2 Controllers require a single phase power supply of 230 volts +/- 15%. All controllers require a dedicated 20 amp two-pole circuit breaker. ¡Un circuito dedicado significa que ningún otro artefacto utiliza el mismo circuito! La potencia de salida del controlador del motor es trifásica, de frecuencia variable y de tensión variable. La tensión de salida y la frecuencia máximas son la tensión de entrada de línea y 60 Hz, respectivamente. La baja tensión de suministro reducirá el rendimiento de la bomba.

NOTA: La instalación y el mantenimiento DEBEN ser realizados por personal apropiadamente capacitado y competente. Siempre siga el Código Eléctrico de EE.UU. o el Código Eléctrico Canadiense, además de todos los códigos locales, estatales y provinciales cuando cablee el sistema.

Cable y tubo-conducto

No use cable más pequeño que 14 AWG. Se recomienda utilizar tubo-conducto metálico con conectores metálicos para todas las conexiones eléctricas.

Conexiones de suministro de salida

PELIGRO Tensión peligrosa Conecte los conductores del motor para una operación de 230 voltios o 208 voltios utilizando la placa de identificación del mismo como referencia. Conecte los conductores de suministro eléctrico de salida del controlador a los tres conductores del motor en la caja de conductos del motor. Conecte el conductor de suministro eléctrico de salida (verde) de puesta a tierra al tornillo de puesta a tierra en la caja de conductos del motor. Esto se realiza en la fábrica para los sistemas completos. Los cables del controlador al motor no deben ser más largos que aquellos suministrados por la fábrica. Ver los detalles en el diagrama 4.

NOTA: Si la bomba tiene más de 50 pies de alambre del regulador, consulte la fábrica para la selección de un filtro de la carga de la salida (reactor de la carga).

Conexión del suministro eléctrico de entrada

PELIGRO Tensión peligrosa Conecte los conductores de la fuente de alimentación monofásica y el alambre de tierra de seguridad desde un cortacircuitos bipolar de 20 amperios (en posición OFF (apagada) a un lado de un interruptor de desconexión bipolar de 20 amperios. Conecte los conductores de suministro eléctrico de entrada con el controlador al otro lado del interruptor de desconexión. Asegúrese de utilizar tubo-conducto metálico con conectores metálicos para las conexiones eléctricas.

PELIGRO Tensión peligrosa El controlador tiene alta corriente de fuga a tierra. Los terminales marcados "GND" en el controlador deben conectarse a la tierra de seguridad desde la entrada del servicio eléctrico. Si el controlador o el motor no se conecta correctamente a tierra, se creará un peligro de electrochoque.

NOTA: No utilice protección de GFCI (interruptores de circuito accionados por corriente de pérdida a tierra) con este controlador. Si lo hace, se producirán disparos falsos.

7: ARRANQUE DEL SISTEMA

PELIGRO Tensión peligrosa ¡La luz indicadora del código de estado no es un indicador de tensión! Siempre apague el interruptor de desconexión y el cortacircuitos antes de dar servicio.

PELIGRO Tensión peligrosa Una vez que el controlador esté energizado permanecerá eléctricamente cargado durante 5 minutos después que el suministro eléctrico se haya apagado. Espere 5 minutos después de desconectar el suministro eléctrico antes de abrir la cubierta de acceso del controlador ya que existe un peligro serio de electrochoque.

Ajuste de los interruptores de sobrecarga del motor

PELIGRO Tensión peligrosa Cuando se energiza la unidad, los interruptores de ajuste de sobrecarga del motor están a un potencial de alta tensión. NO toque los interruptores de ajuste de sobrecarga del motor mientras el suministro eléctrico está activado.

Los interruptores de ajuste de sobrecarga del motor ajustan el nivel de protección del motor necesario para que no se ocasionen daños debido a condiciones de sobrecorriente. Gire el cortacircuitos y el interruptor de desconexión a la posición de apagado, y espere 5 minutos. Quite la cubierta de acceso del controlador. En el interior de la cubierta de acceso está la tabla de ajuste de sobrecarga del motor. *Ver los detalles en el diagrama 6.* Esta tabla indica las posiciones del interruptor para obtener la protección contra sobrecargas deseada. Lea el factor de servicio en amperios de la placa de identificación del motor. Utilice la tabla de ajuste de sobrecarga del motor para hacer coincidir los amperios

del factor de servicio del motor con el ajuste correcto del interruptor. Ajuste los interruptores de sobrecarga del motor de acuerdo con la combinación correcta indicada en la tabla. Si los amperios del factor de servicio del motor no coinciden con ninguno de los ajustes de sobrecarga del motor, utilice el ajuste del interruptor inmediatamente más bajo. *Ver los detalles en el diagrama 3.*

NOTA: Los interruptores de ajuste de sobrecarga del motor se preajustan en la fábrica para sistemas completos.

PRECAUCIÓN Si no se sigue este paso, el motor perderá su protección contra las sobrecargas y se anulará la garantía del mismo. Si estos interruptores no se ajustan correctamente, pueden ocurrir disparos falsos o erróneos con respecto a sobrecarga del motor.

Ajuste de la presión

Gire el cortacircuitos y el interruptor de desconexión a la posición de apagado, y espere 5 minutos. Quite la cubierta de acceso del controlador. Abra una llave en el sistema y coloque el cortacircuitos/interruptor de desconexión en la posición ON (encendido). La bomba arrancará y la presión aumentará al valor prefijado de fábrica de 50 lbs./pulg. cuadrada. Después que la presión se haya estabilizado, utilice los pulsadores de ajuste de aumento/disminución en el lado derecho del controlador para ajustar el valor de presión. Oprima y mantenga oprimido el pulsador de ajuste de aumento/disminución de presión hasta alcanzar el valor deseado. El nuevo valor de presión se retiene automáticamente. Cierre la llave y apague el controlador. Espere 5 minutos antes de instalar la cubierta de acceso del controlador.

NOTA: La configuración máxima permitida de la presión es 85 PSI.

Ajuste de los interruptores de aplicación

PELIGRO Cuando se energiza la unidad, los interruptores de ajuste de aplicación están a un potencial de alta tensión. **NO** toque los interruptores de ajuste de aplicación mientras el suministro eléctrico está activado.

El controlador tiene 6 posibles ajustes de aplicación. Estos ajustes se utilizan para ajustar la velocidad mínima del motor y el ajuste de incremento, o incremento de aceleración y desaceleración. Esto permite que el controlador se adapte a una amplia gama de aplicaciones.

Antes de ajustar los interruptores de aplicación, coloque el cortacircuitos y el interruptor de desconexión a la posición de apagado. Espere 5 minutos. Quite la cubierta de acceso del controlador. En el interior de la cubierta de acceso está la tabla de ajuste del interruptor de aplicación. Esta tabla muestra el ajuste de los interruptores necesario para obtener la respuesta deseada del sistema. *Ver los detalles en el diagrama 3.* Seleccione una velocidad mínima de 10 Hz si la pre-

sión en la succión de la bomba es de menos de 20 PSI del valor de presión deseado. Seleccione una velocidad mínima de 30 Hz si la presión en la succión de la bomba es de más de 20 PSI por debajo de la presión deseada o si está bombeando desde un tanque.

Al cambiar el ajuste de incremento se cambia la rapidez con que el controlador puede cambiar la velocidad del motor. Un ajuste de incremento lento permite que el controlador funcione mejor en aplicaciones donde la demanda promedio de agua es baja (menos de 3 GPM o aproximadamente una llave). Un ajuste de incremento rápido permite que el controlador funcione mejor en aplicaciones donde la demanda de agua es alta ya que se permite que el motor cambie de velocidad en forma más rápida.

NOTA: Los interruptores de aplicación vienen preajustados de fábrica a “0000” o velocidad mínima = 30 Hz, ajuste de incremento = rápido.

Dirección de rotación del motor

Si la presión o el flujo parece bajo, verifique la dirección de rotación del motor. Gire el cortacircuitos y el interruptor de desconexión a la posición de apagado, y espere 5 minutos. Cambie dos conductores cualquiera en la salida del controlador (T1, T2 o T3). Gire el cortacircuitos y el interruptor de desconexión a la posición de encendido. Observe la presión y el flujo. Si la presión o el flujo aún parece bajo, inspeccione las tuberías.

NOTA: Es posible que la bomba mantenga presión constante con un flujo bajo o una carga de succión positiva alta, aún si la bomba está rotando en dirección inversa. Con la bomba funcionando, utilice una sonda de corriente en uno de los conductores de suministro eléctrico de salida conectados al motor y compare el consumo de corriente entre las dos direcciones de rotación. La lectura con el consumo más bajo de corriente indica que la bomba está funcionando en la dirección correcta.

Estado del sistema

El controlador está siempre energizado. Un código de estado verde constante indica que la bomba está en modo de espera (la bomba no está funcionando) o que la tensión de entrada de línea es baja.

PELIGRO ¡La luz indicadora del código de estado no es un indicador de tensión! Siempre apague el interruptor de desconexión y el cortacircuitos y espere 5 minutos antes de dar servicio.

Un código de estado verde intermitente indica que la bomba está funcionando. Una luz roja intermitente o constante indica un problema con el controlador; consulte los códigos de estado en el panel lateral de la cubierta de acceso. *Consulte la sección 9 para mayores detalles.*

8: DIAGRAMAS

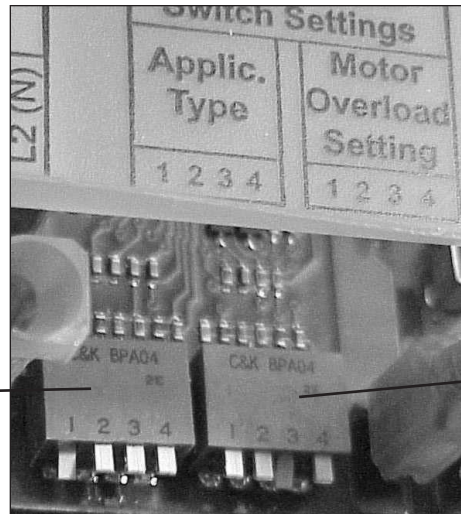
Ajuste de los interruptores de sobrecarga del motor y de aplicación

⚠ PELIGRO

Tensión peligrosa

Cuando se energiza la unidad, los interruptores de ajuste de sobrecarga del motor y de aplicación están a un potencial de alta tensión. Siempre apague el interruptor de desconexión y el cortacircuitos y espere 5 minutos antes de tocar los interruptores de ajuste de sobrecarga del motor o de aplicación.

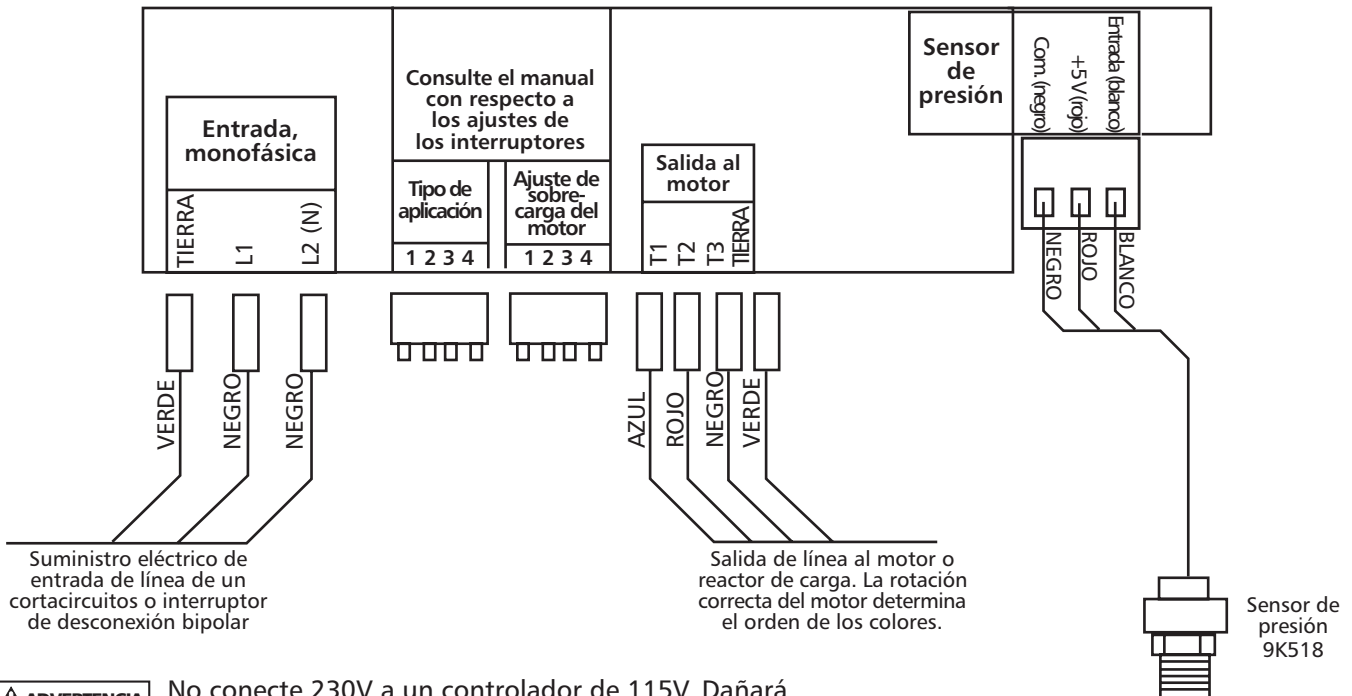
Configuración del interruptor de aplicación
 Consulte el siguiente cuadro para información sobre la configuración correcta del interruptor.



Interruptores de configuración de sobrecarga del motor
 Consulte el siguiente cuadro para información sobre la configuración correcta del interruptor.

Diagrama 3

Diagrama de conexiones de la unidad Aquavar ABII



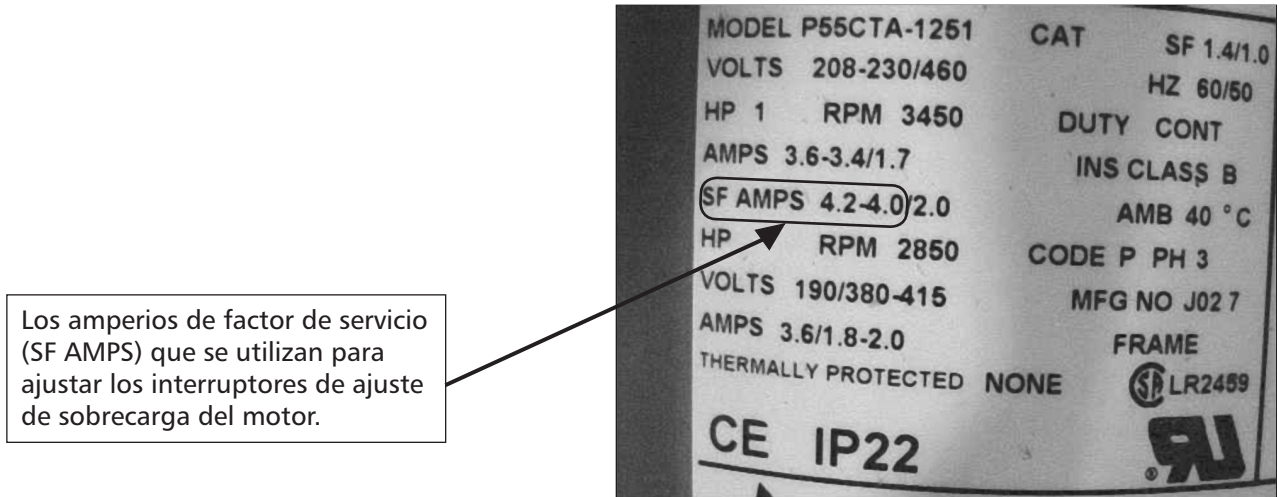
⚠ ADVERTENCIA

No conecte 230V a un controlador de 115V. Dañará el controlador y se anulará la garantía.

Diagrama 4

8: DIAGRAMAS (continuación)

Placa de identificación de motor típica mostrando los amperios de factor de servicio (SF AMPS)



En este ejemplo, utilice el ajuste de 4.2 amperios indicados en la tabla de ajuste de sobrecarga del motor. Este ajuste se utiliza para tomar en cuenta cualquier fluctuación de tensión.

Diagrama 5

Rótulos en la cubierta de acceso del controlador :

Configuración de sobrecarga del motor		
▲ ADVERTENCIA Desconecte el suministro eléctrico y espere a que el indicador de diodo luminiscente se apague antes de tocar los interruptores de ajuste de sobrecarga del motor.		
1 = ARRIBA 0 = ABAJO		
Ajuste del interruptor DIP	Ajuste de sobrecarga del motor (amperios)	
1 2 3 4	1AB2	2AB2
1 1 1 1	2.5	4.6
1 1 1 0	2.8	5.2
1 1 0 1	3.3	5.3
1 0 1 1	3.5	5.8
0 1 1 1	3.8	6.5
0 0 0 0	4.2	6.9

Rótulo de ajuste de sobrecarga del motor

Utilice este rótulo para seleccionar el ajuste correcto del interruptor de sobrecarga del motor. Este rótulo está situado debajo de la cubierta de acceso del controlador.

Configuración del interruptor de tipo de aplicación		
▲ ADVERTENCIA Desconecte el suministro eléctrico y espere a que el indicador de diodo luminiscente se apague antes de tocar los interruptores de ajuste de sobrecarga del motor.		
1 = ARRIBA 0 = ABAJO		
Ajuste del interruptor DIP	Veloc. mínima (Hz)	Ajuste de incremento
1 2 3 4		
1 1 1 1 *	10	Lento
1 1 1 0 *	10	Mediano
1 1 0 1 *	10	Rápido
1 0 1 1	30	Lento
0 1 1 1	30	Mediano
0 0 0 0	30	Rápido

*ESTOS AJUSTES NO DEBEN UTILIZARSE CON LAS BOMBAS SUMERGIBLES.

Diagrama 6

Rótulo de ajuste de los interruptores de aplicación

Utilice este rótulo para seleccionar el ajuste correcto del interruptor de aplicación. Este rótulo está situado debajo de la cubierta de acceso del controlador.

Códigos de estado*	
Códigos de luz verde	
Constante	En espera/baja tensión
Intermitente	La bomba está funcionando
Códigos de luz roja	
Constante	Reemplace el controlador
1 parpadeo	No hay agua/pérdida de cebado
2 parpadeos	Tanque inundado con agua
3 parpadeos	Falla del sensor de presión
4 parpadeos	Bomba o motor atascado
5 parpadeos	Cortocircuito
6 parpadeos	Falla a tierra
7 parpadeos	Alta temperatura
8 parpadeos	Tensión excesiva (>264 V)
9 parpadeos	Sobrecarga del motor
*No hay luz – no hay tensión/tensión muy baja	

Rótulo de código de estado

Utilice este rótulo para diagnosticar cualquier error del sistema. Este rótulo está situado al costado de la cubierta de acceso del controlador.

9: IDENTIFICACIÓN Y RESOLUCIÓN DE PROBLEMAS

Generalidades

La unidad Aquavar ABII es un controlador de autodiagnóstico. Si ocurre un problema, observe la luz indicadora de código de estado en la sección delantera de la unidad. Si no hay luz indicadora de código de estado significa que no hay tensión de entrada o que ésta es baja (menos de 50 V).



¡La luz indicadora del código de estado no es un indicador de tensión! Siempre apague el interruptor de desconexión y el cortacircuitos y espere 5 minutos antes de dar servicio.

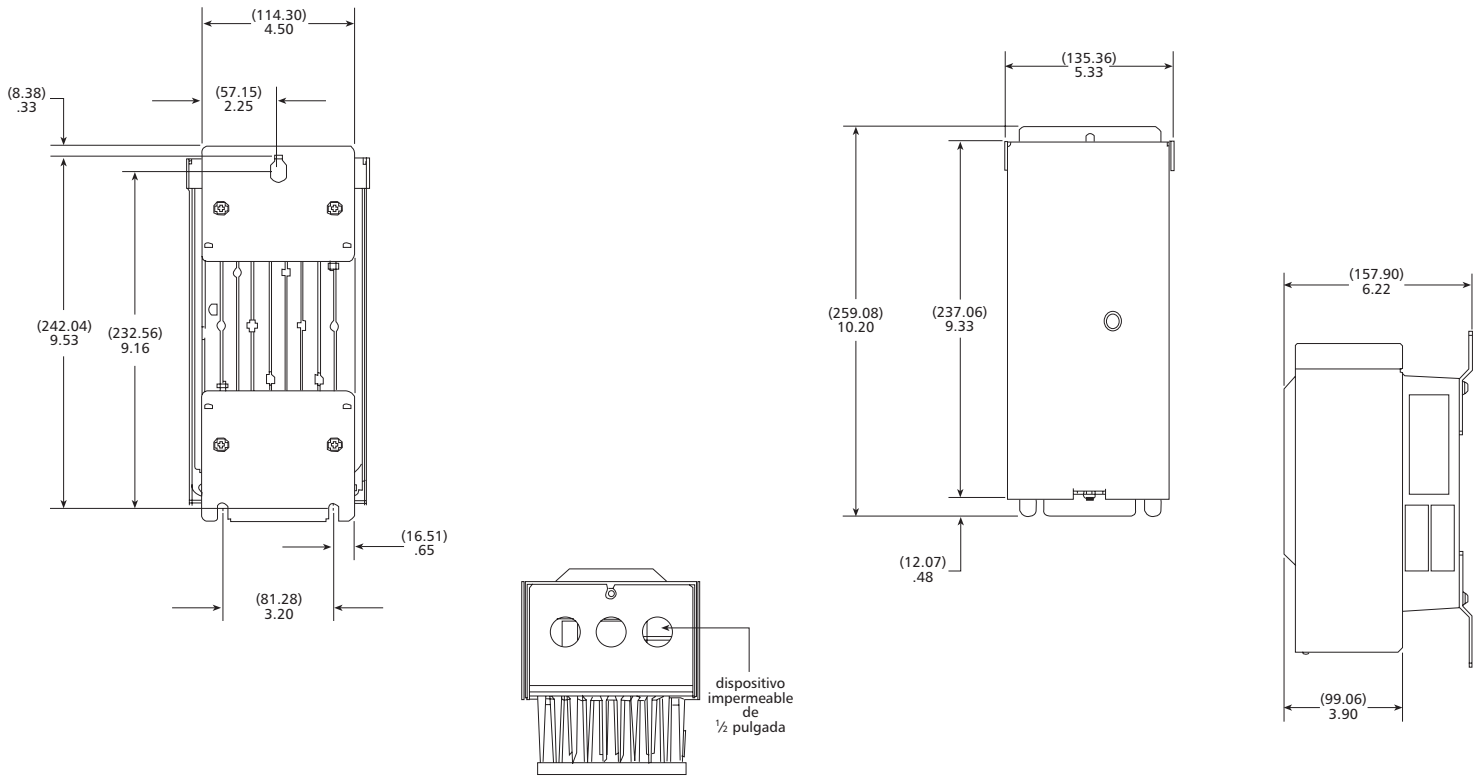
Consulte el rótulo de códigos de estado al costado de la cubierta de acceso del controlador para diagnosticar los errores del sistema. *Ver los detalles en el diagrama 6.*

UTILICE LA TABLA SIGUIENTE COMO AYUDA PARA IDENTIFICAR Y SOLUCIONAR PROBLEMAS.

CÓDIGOS DE LUZ VERDE		
Código del indicador	Estado	Descripción
Constante	En espera/baja tensión	La luz verde constante indica que la bomba está apagada. El sistema está en modo de espera cuando no hay flujo en el mismo y no se ha alcanzado el valor de presión. El sistema está en una condición de la baja tensión cuando la línea caídas de voltaje de entrada de información debajo de 196VAC para los reguladores 1AB2 y 2AB2 y de 98VAC para los reguladores
Intermitente	La bomba está funcionando	La luz verde intermitente indica que la bomba está funcionando. Si a bomba no está funcionando, apague el suministro eléctrico al controlador y espere 5 minutos. Revise las conexiones de suministro eléctrico de salida del controlador al motor.
CÓDIGOS DE LUZ ROJA		
Constante	Error del controlador	Reemplace el controlador Aquavar ABII
1 parpadeo	No hay agua/pérdida	Se indica esta falla si la presión del sistema cae 5 PSI o más por debajo de la presión configurada y la corriente de salida es inferior al 75% del ajuste de sobrecarga del motor durante 10 segundos. El sistema se reiniciará automáticamente en 5 minutos. Si se producen 3 fallas en una hora, el sistema no se reiniciará y deberá ser reiniciado manualmente. Si el problema vuelve a ocurrir, verifique la capacidad de suministro, la capacidad de bombeo, la correcta configuración de los interruptores de sobrecarga del motor y que no haya restricciones entre el suministro y la bomba.
2 parpadeos	Tanque inundado con agua	Esta advertencia se indica si existe una caída drástica en la presión del sistema en un corto período de tiempo. La advertencia no afectará la operación. La bomba seguirá funcionando. Esta advertencia puede ser provocada por baja presión de aire en el tanque o una falla en la cámara del tanque. Esto también puede ser provocado por cambios extremos en el flujo. El error se borra cada vez que la bomba arranca. Si el error vuelve a ocurrir con frecuencia, controle la presión de aire en el tanque. Antes de controlar la presión de aire en el tanque, apague la energía al control para evitar que la bomba se encienda. Alivie la presión del sistema abriendo un grifo.
3 parpadeos	Falla del sensor de presión	Esta falla indica un problema con la retroalimentación del sensor de presión. Verifique las conexiones del controlador Aquavar ABII al sensor de presión. Apague el suministro eléctrico al controlador y espere 5 minutos. Quite el panel de acceso del controlador. Verifique que el cable del sensor está conectado en la forma mostrada en el Diagrama 6. Si el cable está conectado correctamente, mida la tensión en la conexión de entrada (blanca) del terminal del sensor de presión en el controlador Aquavar ABII. Con un voltímetro de CC, conecte el conductor positivo a la conexión de entrada (blanca) del terminal del sensor de presión; conecte el conductor negativo a la conexión Com.

CÓDIGOS DE LUZ ROJA		
Código del indicador	Estado	Descripción
3 parpadeos	Falla del sensor de presión (continuación)	(negra) del terminal del sensor de presión. Encienda el controlador. La tensión de CC medida debe estar en el intervalo válido de 0.5 Vcc a 4.5 Vcc (+/- 0.2 Vcc). Si la tensión está fuera de este intervalo, reemplace el sensor de presión.
4 parpadeos	Bomba o motor atascado	Esta falla puede deberse al atascamiento mecánico causado por residuos en la bomba o debido a una falla eléctrica en el motor. Verifique el error apagando el suministro eléctrico al controlador durante 1 minuto y luego enciéndalo. Debe inspeccionarse la bomba si el error persiste.
5 parpadeos	Cortocircuito	Revise el cableado para detectar un cortocircuito de fase a fase o de fase a tierra. Apague el suministro eléctrico al controlador y espere 5 minutos. Quite el panel de acceso del controlador. Desconecte los conductores del motor marcados T1, T2 y T3. Mida la resistencia entre todos los conductores del motor con un ohmímetro. Nota: Típicamente, la resistencia del devanado del motor es de 2 a 10 ohmios, dependiendo del motor.
6 parpadeos	Falla a tierra	Inspeccione el cableado para detectar cortocircuitos de fase a tierra. Apague el suministro eléctrico al controlador y espere 5 minutos. Quite el panel de acceso del controlador. Desconecte los conductores del motor T1, T2, T3 y la conexión a tierra del controlador. Mida la resistencia entre todos los conductores del motor y tierra con un megaohmímetro. Conecte un conductor del megaohmímetro a cualquiera de los conductores del motor y el otro al conductor de conexión a tierra. Ajuste el megaohmímetro a una salida de 500 VCC. Los valores de resistencia inferiores a 500,000 ohmios o 0.5 megaohmio indican que el motor está dañado.
7 parpadeos	Alta temperatura	Esta falla es causada por una temperatura alta dentro del controlador. El controlador se apagará cuando la temperatura en su interior alcanza 158° F (70° C). El controlador se encenderá nuevamente cuando la temperatura en su interior alcanza 150° F (65.5° C). Evite instalar el controlador en lugares donde la temperatura ambiente excede 104° F (40° C). Evite instalar el controlador en lugares expuestos a la luz directa del sol.
8 parpadeos	Tensión excesiva	Mida la tensión de entrada con un voltímetro de CA. Conecte los conductores positivo y negativo a L1 y L2 en el controlador Aquavar ABII. Verifique que la línea voltaje de entrada de información no sea mayor de 264 VAC para los reguladores 1AB2 y 2AB2 y 132VAC para 1151AB2.
9 parpadeos	Sobrecarga del motor	Esta falla se indica cuando la corriente suministrada al motor excede el ajuste de sobrecarga del motor en el controlador Aquavar ABII. <i>Consulte la Sección 7: Ajuste de los interruptores DIP de sobrecarga del motor para obtener más detalles.</i> Si los interruptores están ajustados de acuerdo con la Sección 7, inspeccione el motor.

10: DIMENSIONES DEL CONTROLADOR



GARANTÍA LIMITADA DE GOULDS WATER TECHNOLOGY

Esta garantía es aplicable a todas las bombas para sistemas de agua fabricadas por Goulds Water Technology.

Toda parte o partes que resultaren defectuosas dentro del período de garantía serán reemplazadas durante dicho período de garantía sin cargo para el comerciante. Tal período de garantía se extiende por veinticuatro (24) meses a partir de la fecha de instalación, o treinta (30) meses a partir de la fecha de fabricación, la que se cumpla primero.

El comerciante que considere que existe lugar a un reclamo de garantía deberá ponerse en contacto con el distribuidor autorizado de Goulds Water Technology del cual adquiriera la bomba y brindar información detallada con respecto al reclamo. El distribuidor está autorizado a liquidar todos los reclamos por garantía a través del Departamento de Servicios a Clientes de Goulds Water Technology.

La presente garantía excluye:

- (a) La mano de obra, el transporte y los costos relacionados en los que incurra el comerciante;
- (b) los costos de reinstalación del equipo reparado;
- (c) los costos de reinstalación del equipo reemplazado;
- (d) daños emergentes de cualquier naturaleza; y
- (e) el reembolso de cualquier pérdida causada por la interrupción del servicio.

A los fines de esta garantía, los términos "Distribuidor", "Comerciante" y "Cliente" se definen como sigue:

- (1) "Distribuidor" es aquel individuo, sociedad, corporación, asociación u otra entidad jurídica que opera entre Goulds Water Technology y el comerciante para la compra, consignación o contratos de venta de las bombas en cuestión.
- (2) "Comerciante" es todo individuo, sociedad, corporación asociación u otra entidad jurídica que realiza negocios de venta o alquiler-venta (*leasing*) de bombas a los clientes.
- (3) "Cliente" es toda entidad que compra o adquiere bajo la modalidad de *leasing* las bombas en cuestión de un comerciante. El término "cliente" puede significar un individuo, sociedad, corporación, sociedad de responsabilidad limitada, asociación o cualquier otra entidad jurídica con actividades en cualquier tipo de negocios.

LA PRESENTE GARANTÍA SE EXTIENDE AL COMERCIANTE ÚNICAMENTE.

xylem
Let's Solve Water

Xylem, Inc.
2881 East Bayard Street Ext., Suite A
Seneca Falls, NY 13148
Teléfono: (800) 453-6777
Fax: (888) 322-5877
www.xyleminc.com/brands/gouldswatertechnology

Goulds es una marca registrada de Goulds Pumps, Inc. y se utiliza bajo licencia.
Aquavar ABII es una marca registrada de Xylem Inc. o una de sus filiales.
© 2011 Xylem Inc. IM156 Revisión Número 4 Septiembre 2011



MODÈLES :

1151AB2 – 115 V, 4,2 A

1AB2 – 230 V, 4,2 A

2AB2 – 230 V, 6,9 A

Contrôleur Aquavar ABII

COMMANDE DE POMPE À VITESSE VARIABLE

MANUEL D'INSTALLATION, D'UTILISATION ET DE DÉPANNAGE

Informations pour le propriétaire

N° de modèle du contrôleur: _____
N° de série du contrôleur: _____
N° de modèle de la pompe: _____
N° de série de la pompe: _____
N° de modèle du moteur: _____
Courant (A) avec facteur de surcharge pour le moteur (SFA): _____
N° de série du réservoir: _____
Détaillant: _____

N° de téléphone du détaillant: _____
Date d'installation: _____
Longueurs de câble (en pieds)
De l'entrée de service au contrôleur: _____
Du contrôleur à la tête de puits: _____
De la tête de puits au moteur: _____
Tension d'entrée: _____

**AVIS: INSCRIRE À TITRE DOCUMENTAIRE
LES NUMÉROS DE MODÈLE ET DE SÉRIE
DU CONTRÔLEUR ET DE LA POMPE
DANS LE PRÉSENT MANUEL. UNE FOIS
L'INSTALLATION ACHÉVÉE, ATTACHER
LE MANUEL AU CONTRÔLEUR OU LE
REMETTRE AU PROPRIÉTAIRE.**

Table des matières

<u>SUJET</u>	<u>PAGE</u>
1. Consignes de sécurité	27
2. Composants du système.....	27
3. Conception du système.....	28
4. Tuyauterie	29
5. Pose du contrôleur.....	29
6. Alimentation électrique et câblage	30
7. Mise en service du système	30
8. Illustrations et tables.....	32
9. Dépannage	34
10. Dimensions du contrôleur	35
11. Garantie limitée.....	36

NOTA :

- Appareil à câbler uniquement avec du fil de cuivre classé.
- Appareil pour circuit pouvant fournir au maximum 5 000 ampères symétriques efficaces. Protection de la dérivation par fusibles.
- Appareil convenant à un milieu dont le degré de filtration des particules polluantes est de 2 microns.
- Protection contre la surcharge du moteur à 110 % du courant à pleine charge.
- Protection nominale du boîtier à maintenir contre les conditions ambiantes par l'obstruction obligatoire de toutes ses ouvertures avec du matériel classé 3, 3R, 3S, 4, 4X, 6 ou 6P.
- Température ambiante maximale de 50°C.

1. CONSIGNES DE SÉCURITÉ

AFIN DE PRÉVENIR LES BLESSURES GRAVES OU MORTELLES ET LES DOMMAGES MATÉRIELS IMPORTANTS, LIRE ET SUIVRE TOUTES LES CONSIGNES DE SÉCURITÉ FIGURANT DANS LE MANUEL ET SUR LE MATÉRIEL.

LE PRÉSENT MANUEL A POUR BUT DE FACILITER L'INSTALLATION ET L'UTILISATION DU CONTRÔLEUR ET DOIT ÊTRE CONSERVÉ PRÈS DE CELUI-CI.



Le symbole ci-contre est un **SYMBOLE DE SÉCURITÉ** employé pour signaler les mots-indicateurs dont on trouvera la description ci-dessous. Sa présence sert à attirer l'attention afin d'éviter les blessures et les dommages matériels.



DANGER Signale une situation dangereuse imminente qui causera la mort ou des blessures graves si elle n'est pas évitée.



AVERTISSEMENT Signale une situation potentiellement dangereuse qui peut causer la mort ou des blessures graves si elle n'est pas évitée.



ATTENTION Signale une situation potentiellement dangereuse qui, si elle n'est pas évitée, pourrait causer des blessures de gravité faible à modérée.




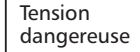


MISE EN GARDE Utilisée sans symbole de sécurité. Signale une situation potentiellement dangereuse qui peut causer des dommages matériels si elle n'est pas évitée.

NOTA : SERT À ÉNONCER LES DIRECTIVES SPÉCIALES DE GRANDE IMPORTANCE QUE L'ON DOIT SUIVRE.

LIRE SOIGNEUSEMENT CHAQUE DIRECTIVE ET AVERTISSEMENT AVANT D'EFFECTUER TOUT TRAVAIL SUR LE CONTRÔLEUR.

N'ENLEVER AUCUN AUTOCOLLANT DE SÉCURITÉ.

CHAQUE DIRECTIVE D'UTILISATION DOIT ÊTRE LUE, COMPRISE ET SUIVIE PAR LE PERSONNEL D'EXPLOITATION. GOULDS WATER TECHNOLOGY NE SERA NULLEMENT TENUE RESPONSABLE DES DOMMAGES NI DES ANOMALIES DUS AU NON-RESPECT DES DIRECTIVES EN QUESTION.

1. Le présent manuel a pour but de faciliter l'installation, l'utilisation et la réparation du système et doit être conservé près de celui-ci.
2. L'installation et l'entretien **DOIVENT** être effectués par du personnel formé et qualifié.
3. Revoir chaque directive et avertissement avant d'effectuer tout travail sur le système.
4. On **DOIT** laisser les autocollants de sécurité sur la pompe et le contrôleur.
5.  **DANGER** On doit couper l'alimentation électrique du système avant d'effectuer tout travail sur les composants électriques ou mécaniques de ce dernier. Omettre ce point peut causer un choc électrique, des brûlures ou la mort.

6.  **ATTENTION** Quand la pompe est en service, elle peut démarrer inopinément et causer ainsi de graves blessures.


2: COMPOSANTS DU SYSTÈME

Jeter un coup d'œil sur les composants de l'Aquavar ABII fournis par Goulds Water Technology et s'assurer qu'il n'en manque pas. Vérifier s'ils ont été endommagés durant le transport. Se familiariser avec leur nom.

Composants de l'Aquavar ABII :

1. Pompe et moteur
2. Contrôleur Aquavar ABII avec câble de capteur de pression
3. Réservoir à pression (fourni avec certains modèles)
4. Capteur de pression
5. Nécessaire de fixation
6. Té et bouchon mâle
7. Manomètre

AVERTISSEMENT



Tension dangereuse

NE PAS mettre l'appareil sous tension ni faire fonctionner la pompe tant que le raccordement électrique et hydraulique, particulièrement celui



Pression dangereuse

du capteur de pression, ne sera pas terminé. La pompe ne devrait pas fonctionner à sec. L'installation électrique

doit être entièrement effectuée par un technicien qualifié. Il faut toujours suivre les prescriptions du code provincial ou national de l'électricité et les règlements locaux. Adresser toute question relative au code à un inspecteur en électricité. Le non-respect du code et des politiques de santé et de sécurité au travail peut entraîner des blessures et des dommages matériels. L'observation des directives d'installation fournies par le fabricant peut se traduire par un choc électrique, un incendie, des blessures ou la mort, ainsi que par des dommages matériels, des performances non satisfaisantes et l'annulation de la garantie du fabricant.

3: CONCEPTION DU SYSTÈME

NOTA : les systèmes DOIVENT être conçus uniquement par des techniciens qualifiés et respecter les prescriptions des codes provinciaux ou nationaux pertinents et les exigences locales.

Les figures ci-dessous montrent deux systèmes à pression constante types pilotés par un contrôleur Aquavar ABII. On peut raccorder ces systèmes à un réservoir ou à une source d'approvisionnement en eau. La figure 1 représente un système raccordé à un réservoir d'approvisionnement.

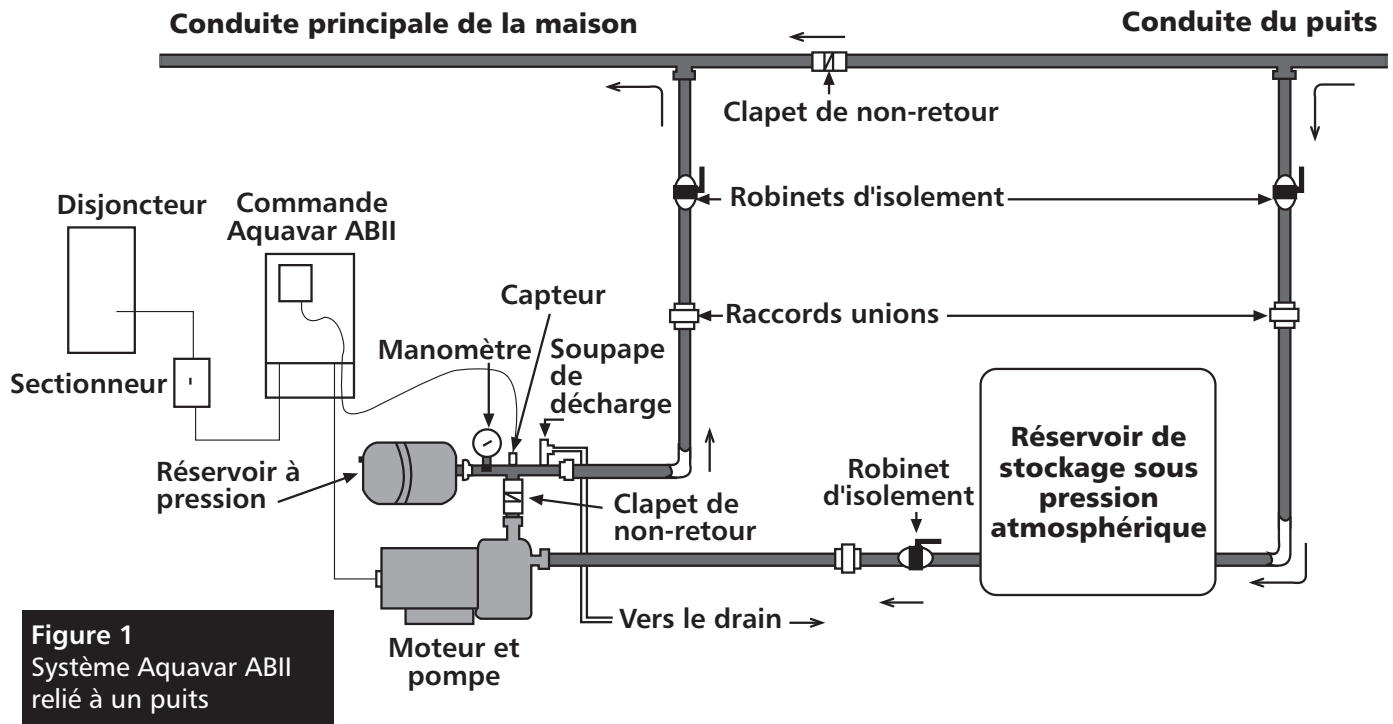


Figure 1
Système Aquavar ABII
relié à un puits

La figure 2 montre un système raccordé à un réseau de distribution d'eau municipal. Le système permet d'entretenir la pompe sans mettre la conduite principale de la maison hors service.

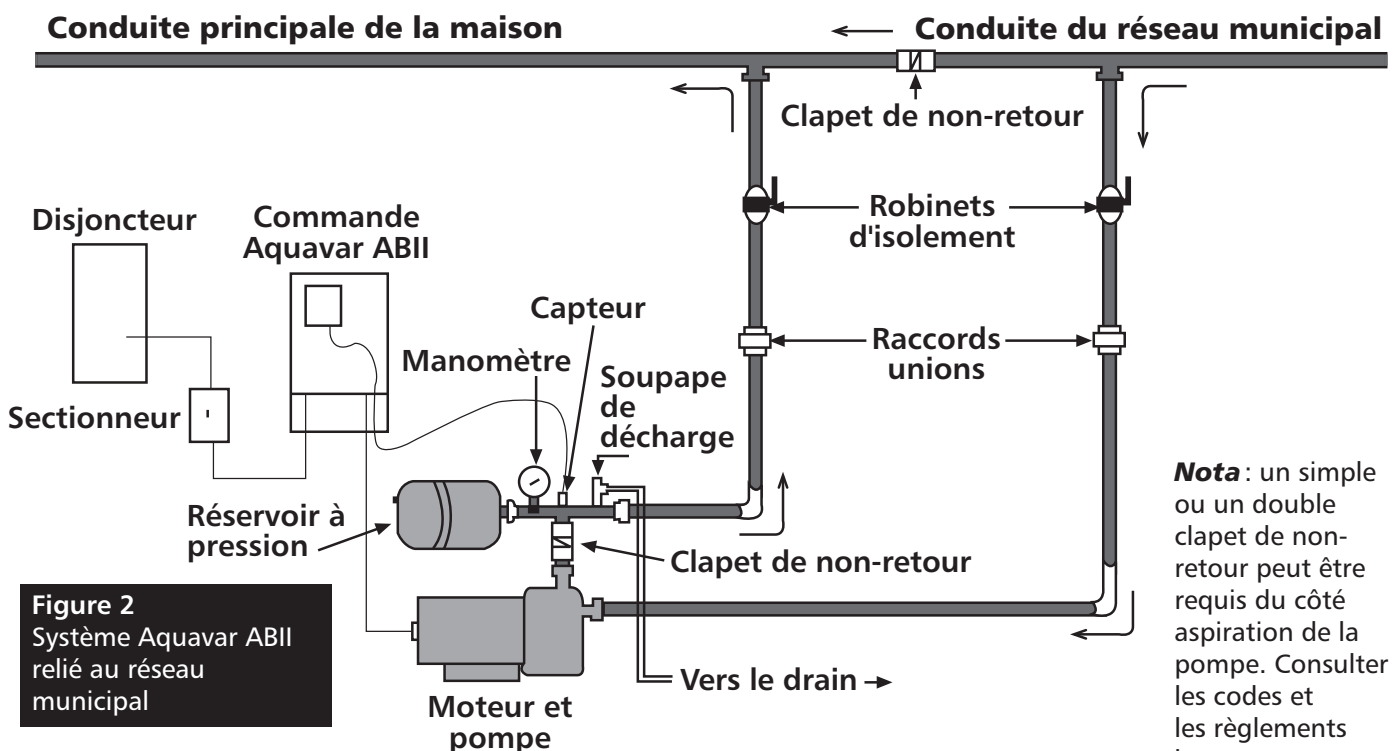


Figure 2
Système Aquavar ABII
relié au réseau
municipal

Nota : un simple ou un double clapet de non-retour peut être requis du côté aspiration de la pompe. Consulter les codes et les règlements locaux.

4: TUYAUTERIE

Généralités

NOTA : la plomberie doit être entièrement réalisée par un technicien qualifié. Suivre les prescriptions du code provincial ou national pertinent et les exigences locales.

Une installation appropriée requiert une soupape de décharge, un raccord (sur le té) à filetage intérieur de ¼ po, NPT, pour le capteur de pression et une tuyauterie de calibre adéquat. Ce dernier ne devrait pas être inférieur à celui des raccords d'aspiration et de refoulement de la pompe. La tuyauterie devrait être aussi courte que possible et dépourvue de raccords et d'accessoires inutiles, afin de réduire la perte de charge (par frottement) au minimum.

ATTENTION Pression dangereuse Certaines combinaisons pompe-moteur utilisées avec le système peuvent produire une pression de 200 lbf/po². Choisir la tuyauterie, les raccords et les accessoires en conséquence, selon les recommandations du fournisseur de tuyaux. S'informer des exigences locales quant à la tuyauterie.

Chaque joint de tuyauterie doit être étanche. Employer du ruban de téflon ou du mastic d'étanchéité, mais, dans ce dernier cas, prendre soin de ne pas trop en mettre pour éviter que le surplus se retrouve dans la tuyauterie et bouche éventuellement le capteur de pression.

Afin de prévenir la corrosion galvanique, ne jamais fixer de tuyau, de raccord ni d'accessoire de tuyauterie galvanisé directement sur la tête de refoulement ni sur le corps de pompe, en inox. Les raccords à barbillons devraient toujours être assujettis avec deux colliers de serrage à chaque extrémité.

Réservoir à pression, soupape de décharge et tuyauterie de refoulement

L'air du réservoir à pression standard Hydro-Pro est précomprimé à 38 lbf/po². La pression d'air peut être réglée entre cette valeur et 10 lbf/po² de moins que la pression de service du système. Employer la plus haute valeur lorsque, à débit constant, la pression du système dévie de plus de 5 lbf/po². N'utiliser que des réservoirs à pression pour le système ; pas de réservoirs galvanisés. Le réservoir et la soupape de décharge doivent toujours être à une température ambiante de plus de 1,1 °C (34 °F). Si l'ouverture et la fuite de la soupape peuvent causer des dommages, poser sur celle-ci une canalisation évacuant le fluide en un lieu où il n'y aura aucun risque d'endommagement. Employer le té fourni pour raccorder le tuyau de refoulement au réservoir à pression et à la tuyauterie de la maison. Il est permis de pomper l'eau vers différents endroits.

AVERTISSEMENT La pression de service maximale de la plupart des réservoirs HydroPro est de 125 lbf/po². Vérifier cette donnée sur l'étiquette du réservoir ou dans le manuel d'installation.

Pose de la pompe

AVERTISSEMENT Tension dangereuse **ATTENTION** Pression dangereuse Risque de choc électrique. Le système de pompage décrit n'a pas fait l'objet d'études quant à son utilisation pour les piscines.

ATTENTION Pression dangereuse Avant de raccorder les tuyaux d'aspiration et de refoulement à la pompe, s'assurer qu'ils sont bien alignés sur les orifices correspondants de celle-ci et fixer un clapet de non-retour à l'orifice de refoulement de la pompe, donc en amont du capteur de pression et du réservoir. Placer la pompe aussi près que possible de la source de liquide. Pour pomper l'eau d'un réservoir à l'air libre, mettre la pompe plus bas que le niveau du liquide du réservoir. La tuyauterie doit avoir ses propres supports. Pour plus de détails, voir les directives fournies avec la pompe.

Pose du capteur de pression

Poser le capteur de pression sur le té fourni avec l'appareil. Étant donné que le câble de capteur venant avec le contrôleur mesure 120 po, placer celui-ci de façon à ce que le câble soit suffisamment long.

ATTENTION Pression dangereuse Le clapet de non-retour excepté, ne pas poser de robinet de sectionnement, de filtre ni de régulateur de débit ou de pression entre la pompe et le capteur de pression, car cela pourrait être dangereux.

Utiliser **UNIQUEMENT** le capteur de pression livré avec l'appareil. Le fixer à l'un des orifices de ¼ po du té fourni avec l'ensemble, mais à la verticale pour prévenir l'accumulation de corps étrangers dans l'orifice du capteur. Ne pas orienter les orifices de ¼ po du té vers le bas. Aligner le connecteur du câble sur celui du capteur, puis les insérer l'un dans l'autre (une patte les assujettit). Former une boucle d'égouttement avec le câble afin que l'eau pouvant couler le long du câble n'atteigne pas les connecteurs.

5: POSE DU CONTRÔLEUR

Généralités

À l'aide du nécessaire de fixation fourni, monter le contrôleur à la verticale en un lieu bien aéré, non exposé au soleil, et dont la température ambiante se maintient entre 1,1 et 40 °C (34 et 104 °F). S'assurer de laisser un espace libre de 8 po de chaque côté du contrôleur. Le modèle 2AB2 réduira automatiquement son courant de sortie maximal (6,9 A) de 0,12 A (ou 1,75 %) par degré dépassant 40 °C ou de 0,069 A (ou 1 %) par degré excédant 104 °F. Le modèle 1AB2 ne requiert pas de réduction du courant de sortie maximal (4,2 A) en pareil cas. Dans le cas des installations à une altitude supérieure à 3 300 pi au-dessus du niveau de la mer, la sortie d'entraînement devrait également être sous-sollicitée de 2 % à tous les 1 000 pi dépassant 3 300 pi.

NOTA : ne pas empêcher l'écoulement de l'air entre les ailettes du dissipateur de chaleur ni laisser quoi que ce soit sur le contrôleur.



En raison des risques de choc électrique liés à la présence de haute tension dans le contrôleur, on devrait toujours fermer et fixer solidement le couvercle du boîtier du contrôleur.

6: ALIMENTATION ÉLECTRIQUE ET CÂBLAGE

Alimentation électrique



Le contrôleur 1151AB2 requiert un circuit d'alimentation monophasé de 115 V $\pm 15\%$, et les contrôleurs 1AB2 et 2AB2, un circuit monophasé de 230 V $\pm 15\%$. Chaque contrôleur nécessite un circuit indépendant à disjoncteur bipolaire de 20 A. Circuit indépendant veut dire que seul le contrôleur peut y être branché! Ce dernier alimente le moteur en triphasé de fréquence et de tension variables. La tension de sortie et la fréquence maximales (60 Hz) sont celles du secteur. D'ailleurs, une basse tension de sortie réduirait le rendement de la pompe.

NOTA : l'installation et l'entretien DOIVENT être effectués par du personnel formé et qualifié. Il faut toujours suivre les prescriptions du code provincial ou national de l'électricité et les règlements locaux pour le câblage du système.

Câblage et conduit

Ne pas utiliser de fils de calibre plus petit que 14 AWG. L'emploi de conduits et de connecteurs de conduit en métal est recommandé pour toute liaison électrique.

Connexion des fils de moteur



Connecter les fils de moteur selon les indications de la plaque signalétique pour les tensions de 230 ou 208 V. Joindre les fils de sortie du contrôleur aux fils de moteur dans la boîte de connexions du moteur. Assujettir l'extrémité du fil de terre (vert) du contrôleur avec la vis de terre de la boîte. Les systèmes complets sont précâblés en usine. Voir le schéma de câblage (fig. 4).

NOTA : si la longueur des fils reliant la pompe au contrôleur dépasse 50 pi, s'adresser au personnel de l'usine pour choisir un filtre de sortie (bobine de réactance).

Connexion du câble d'alimentation principale



Brancher les fils d'alimentation monophasée et le fil de terre de sécurité provenant du disjoncteur bipolaire de 20 A (mis hors circuit) à un côté du sectionneur bipolaire de 20 A. Connecter les fils d'entrée du contrôleur à l'autre côté du sectionneur. S'assurer que des conduits et des connecteurs de conduit en métal sont utilisés pour toute liaison électrique.



Le contrôleur peut avoir des fuites de courant élevées par la terre. Les bornes de terre (GND) du contrôleur doivent être reliées

à la prise de terre de sécurité de l'entrée de service. L'omission de la mise à la terre appropriée du contrôleur et du moteur entraînera un risque de choc électrique.

NOTA : ne pas employer de disjoncteur de fuite à la terre avec le contrôleur. On évitera ainsi les déclenchements intempestifs.

7: MISE EN SERVICE DU SYSTÈME



Le voyant de fonctionnement n'est pas un détecteur de tension! Il faut toujours mettre le sectionneur et le disjoncteur hors circuit avant de procéder à l'entretien du système.



Le contrôleur conserve sa charge électrique pendant 5 min après sa mise hors tension. Attendre alors 5 min avant d'ouvrir le couvercle du contrôleur pour prévenir tout risque de choc électrique.

Réglage du commutateur de surcharge du moteur



Quand le contrôleur est sous tension, les interrupteurs du commutateur de surcharge du moteur le sont aussi. **NE PAS** leur toucher.

Les interrupteurs du commutateur de surcharge du moteur (fig. 3) permettent de régler le niveau de protection du moteur contre les courants de surcharge et de prévenir ainsi les dommages dus à la surintensité. Mettre le disjoncteur et le sectionneur hors circuit et attendre 5 min. Déposer le couvercle du contrôleur. Une table de réglage se trouve à l'intérieur du couvercle (fig. 6). À l'aide de cette table et des interrupteurs, régler l'intensité (A) avec facteur de surcharge à la valeur indiquée sur la plaque signalétique (fig. 5) du moteur. Si l'intensité en question ne correspond à aucune valeur figurant dans la table, choisir la valeur inférieure la plus proche.

NOTA : La surcharge du moteur est pré-réglée en usine pour les systèmes complets.



Omettre le réglage en question se traduira par la non-protection du moteur contre les surcharges et l'annulation de la garantie de ce dernier. Si les interrupteurs du commutateur ne sont pas réglés correctement, des déclenchements (erreurs) intempestifs pourraient survenir, ainsi que l'endommagement du moteur.


Réglage de la pression

Mettre le disjoncteur et le sectionneur hors circuit et attendre 5 min. Déposer le couvercle du contrôleur. Ouvrir un robinet et remettre le disjoncteur et le sectionneur en circuit. La pompe démarrera, et la pression montera au niveau pré-réglé en usine: 50 lbf/po². Une fois la pression stabilisée, la régler à l'aide des boutons situés du côté droit du contrôleur. **Appuyer** sur le bouton de réduction ou d'augmentation tant que la pression voulue n'est pas

atteinte. La nouvelle valeur de pression est sauvegardée automatiquement. Refermer le robinet et mettre le contrôleur hors tension. Attendre ensuite 5 min, puis reposer le couvercle du contrôleur.

NOTA : la pression maximale programmable est 85 lbf/po².

Réglage du commutateur d'application

 Quand le contrôleur est sous tension, les interrupteurs du commutateur d'application le sont aussi. **NE PAS** leur toucher.

Le contrôleur permet de choisir 6 applications de deux types différents : les fréquences de fonctionnement (vitesses) minimales et les rampes d'accélération et de décélération du moteur.

Avant de régler le commutateur d'application (fig. 3), mettre le disjoncteur et le sectionneur hors circuit et attendre 5 min. Déposer le couvercle du contrôleur.

Une table de réglage est placée à l'intérieur du couvercle (fig. 6). À l'aide de cette table et des interrupteurs, régler le type de fonctionnement voulu du système.

Sélectionner une fréquence minimale de 10 Hz si la pression d'aspiration à l'orifice de la pompe ne baisse pas de plus de 20 lbf/po² par rapport à la pression paramétrée. Quand on pompe le liquide d'un réservoir ou qu'il y a hauteur d'aspiration, choisir une fréquence minimale de 30 Hz si la pression d'aspiration à l'orifice de la pompe baisse de plus de 20 lbf/po² par rapport à la pression paramétrée.

Le paramétrage de la rampe permet de choisir le temps (la vitesse) de réaction du moteur. Une rampe lente est mieux appropriée quand la demande moyenne en eau est faible (moins de 3 gal US/min, soit l'utilisation de un robinet). Une rampe rapide donne un meilleur rendement quand la demande est élevée et requiert donc une réaction rapide du moteur.

NOTA : le commutateur d'application est pré-réglé en usine à 0000, donc pour une fréquence minimale de 30 Hz et une rampe rapide.


Vérification du sens de rotation du moteur

Si la pression ou le débit semblent faibles, vérifier le sens de rotation du moteur. Mettre le disjoncteur et le sectionneur hors circuit et attendre 5 min. Intervertir deux des fils de sortie du contrôleur aux bornes T1, T2 ou T3. Remettre le disjoncteur et le sectionneur en circuit. Vérifier la pression ou le débit, et s'ils semblent encore faibles, inspecter la plomberie.

NOTA : même quand la pompe tourne dans le mauvais sens, il est possible que la pression demeure constante si le débit est faible ou s'il y a une hauteur totale de charge positive élevée à l'aspiration. Pendant que la pompe fonctionne, vérifier l'appel de courant avec un ampèremètre sur l'un des fils de moteur dans les deux sens de rotation. Le sens demandant le moins de courant est le bon.

État du système

Le contrôleur est sous tension tant qu'il est branché, même si son voyant (DEL — diode électroluminescente) est éteint. Si la DEL est verte et fixe, la pompe est en attente, ou la tension de secteur est basse.

 Le voyant de fonctionnement n'est pas un détecteur de tension ! Il faut toujours mettre le sectionneur et le disjoncteur hors circuit, puis attendre 5 min avant de procéder à l'entretien du système.

Le voyant vert clignotant signifie que la pompe est en marche. Le voyant rouge, fixe ou clignotant, indique qu'une anomalie est survenue dans le contrôleur. Voir la description des codes d'état dans la table apposée à l'intérieur du couvercle, ou bien dans la fig. 6. La section 9 fournit plus de détails à ce sujet.

8: ILLUSTRATIONS ET TABLES

Réglage des commutateurs d'application et de surcharge du moteur

DANGER Tension dangereuse Quand le contrôleur est sous tension, les interrupteurs des commutateurs d'application et de surcharge du moteur le sont aussi. On doit donc toujours mettre le disjoncteur et le sectionneur hors circuit et attendre 5 min avant de toucher aux interrupteurs.

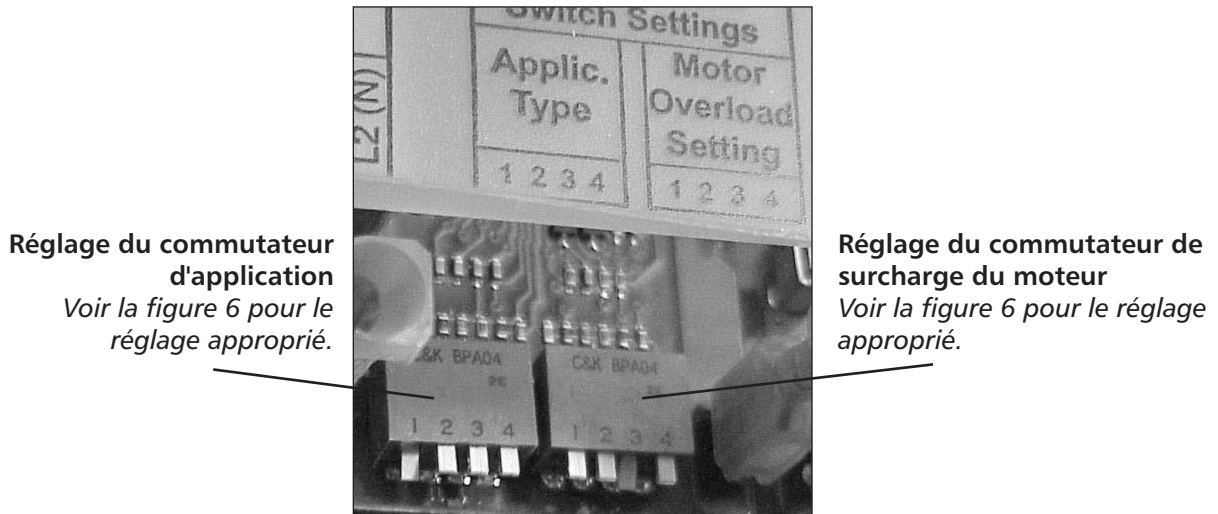
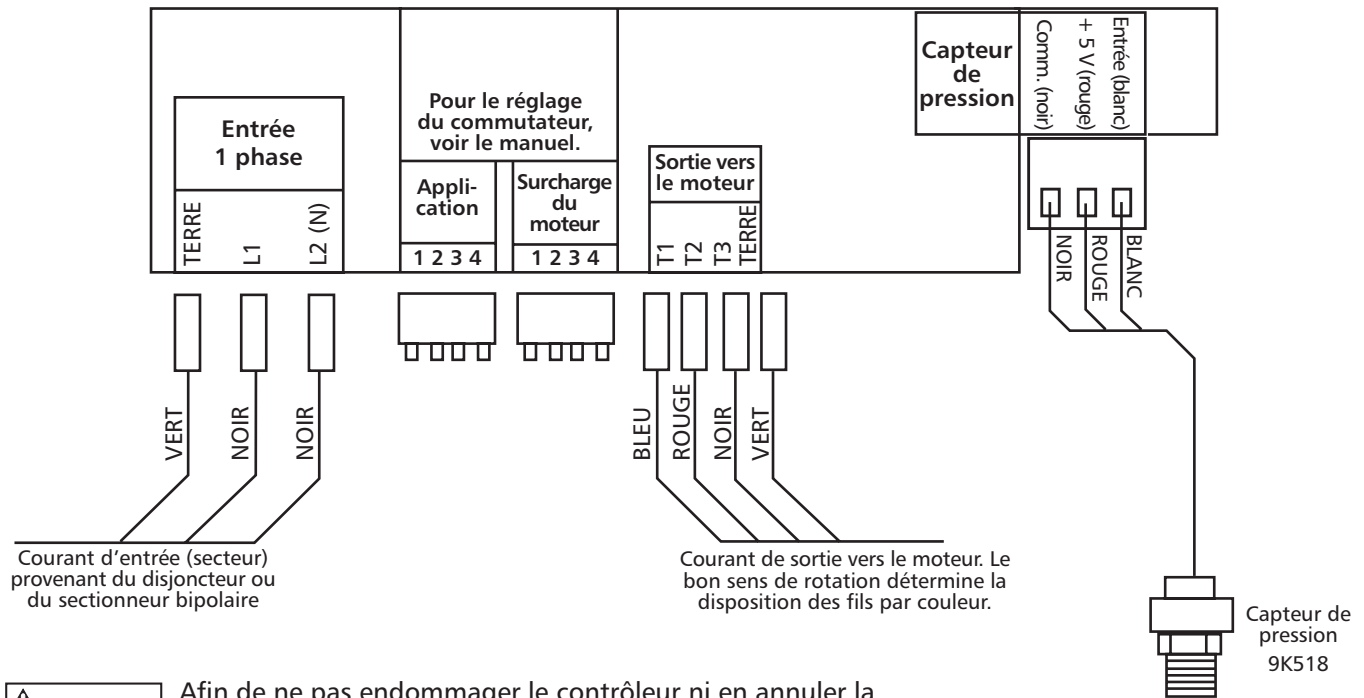


Figure 3

Schéma de câblage de l'Aquavar ABII

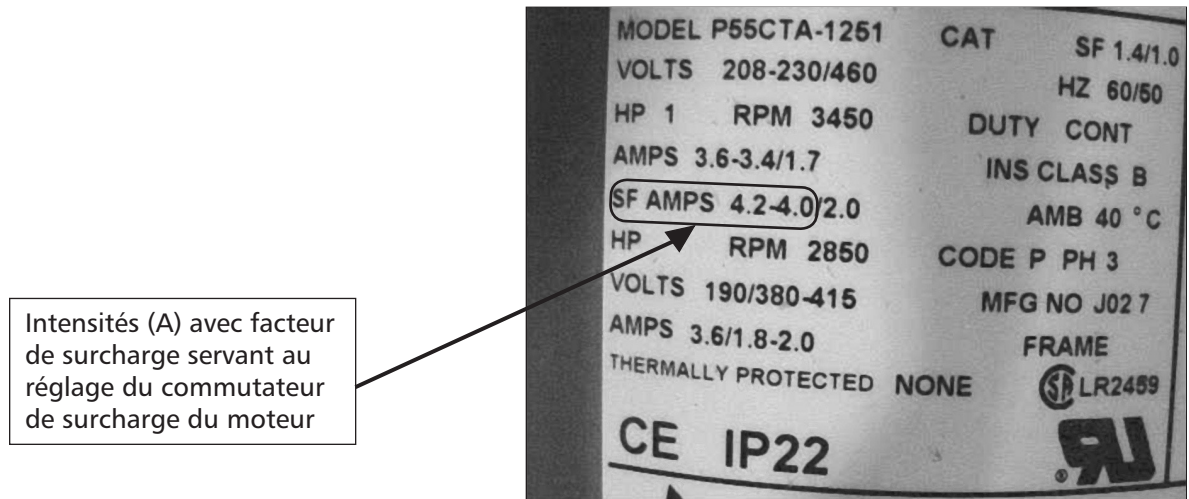


AVERTISSEMENT Afin de ne pas endommager le contrôleur ni en annuler la garantie, ne pas l'alimenter en 230 V s'il est conçu pour 115 V.

Figure 4

8: ILLUSTRATIONS ET TABLES (suite)

Plaque signalétique type montrant les intensités (A) avec facteur de surcharge



Dans le cas illustré, paramétrer l'intensité à 4,2 A suivant la table de réglage de la surcharge du moteur. Cette valeur tient compte de toutes les fluctuations de tension.

Figure 5

Tables apposées à l'intérieur du couvercle du contrôleur

Réglage du commutateur de surcharge du moteur					
▲ AVERTISSEMENT					
Couper le courant et attendre que la DEL s'éteigne avant de toucher aux interrupteurs du commutateur de surcharge du moteur.					
Interrupteur : sorti = 1, rentré = 0					
Interrupteurs du commutateur DIP				Surcharge paramétrée du moteur (A)	
1	2	3	4	1AB2	2AB2
1	1	1	1	2,5	4,6
1	1	1	0	2,8	5,2
1	1	0	1	3,3	5,3
1	0	1	1	3,5	5,8
0	1	1	1	3,8	6,5
0	0	0	0	4,2	6,9

Table de réglage du commutateur de surcharge du moteur

Utiliser la table ci-dessus, qui trouve aussi à l'intérieur du couvercle du contrôleur, pour régler le commutateur de surcharge du moteur.

Réglage du commutateur d'application					
▲ AVERTISSEMENT					
Couper le courant et attendre que la DEL s'éteigne avant de toucher aux interrupteurs du commutateur d'application.					
Interrupteurs du commutateur DIP				Interrupteur : sorti = 1, rentré = 0	
1	2	3	4	Fréquence (vitesse) minimale (Hz)	Rampe paramétrée
1	1	1	1*	10	Lente
1	1	1	0*	10	Moyenne
1	1	0	1*	10	Rapide
1	0	1	1	30	Lente
0	1	1	1	30	Moyenne
0	0	0	0	30	Rapide

* NE PAS UTILISER CES PARAMÈTRES AVEC LES POMPES SUBMERSIBLES.

Table des codes d'état du système
Utiliser la table ci-contre, se trouvant aussi à l'intérieur du couvercle du contrôleur, pour diagnostiquer les anomalies du système.

Codes d'état du système*	
Voyant vert	
Fixe	Attente ou basse tension
Clignotant	Pompe en marche
Voyant rouge	
Fixe	Remplacement du contrôleur
1 clignotement	Pas d'eau ou désamorçage
2 clignotements	Réservoir trop plein
3 clignotements	Anomalie liée au capteur de pression
4 clignotements	Pompe ou moteur bloqués
5 clignotements	Court-circuit
6 clignotements	Défaut de mise à la terre
7 clignotements	Température élevée
8 clignotements	Surtension (> 264 V c.a.)
9 clignotements	Surcharge du moteur
* Voyants éteints : tension nulle ou très basse	

Table de réglage du commutateur d'application

Utiliser la table ci-contre, également située à l'intérieur du couvercle du contrôleur, pour régler le commutateur d'application.

Figure 6

9: DÉPANNAGE

Généralités

L'Aquavar ABII effectue son autodiagnostic. En cas d'anomalie, jeter un coup d'œil au voyant de fonctionnement situé sur le devant du contrôleur. S'il est éteint, c'est que la tension d'entrée est nulle ou faible (< 50 V).

⚠ DANGER Tension dangereuse Le voyant de fonctionnement n'est pas un détecteur de tension ! Il faut mettre le sectionneur et le disjoncteur hors circuit, puis attendre 5 min avant de procéder à l'entretien du contrôleur, qui, autrement, pourrait être parcouru par une tension élevée.

Voir les codes d'état du système (fig. 6 et intérieur du couvercle du contrôleur) pour en diagnostiquer les anomalies.

UTILISER LA TABLE CI-APRÈS POUR FACILITER LE DIAGNOSTIC DES ANOMALIES.

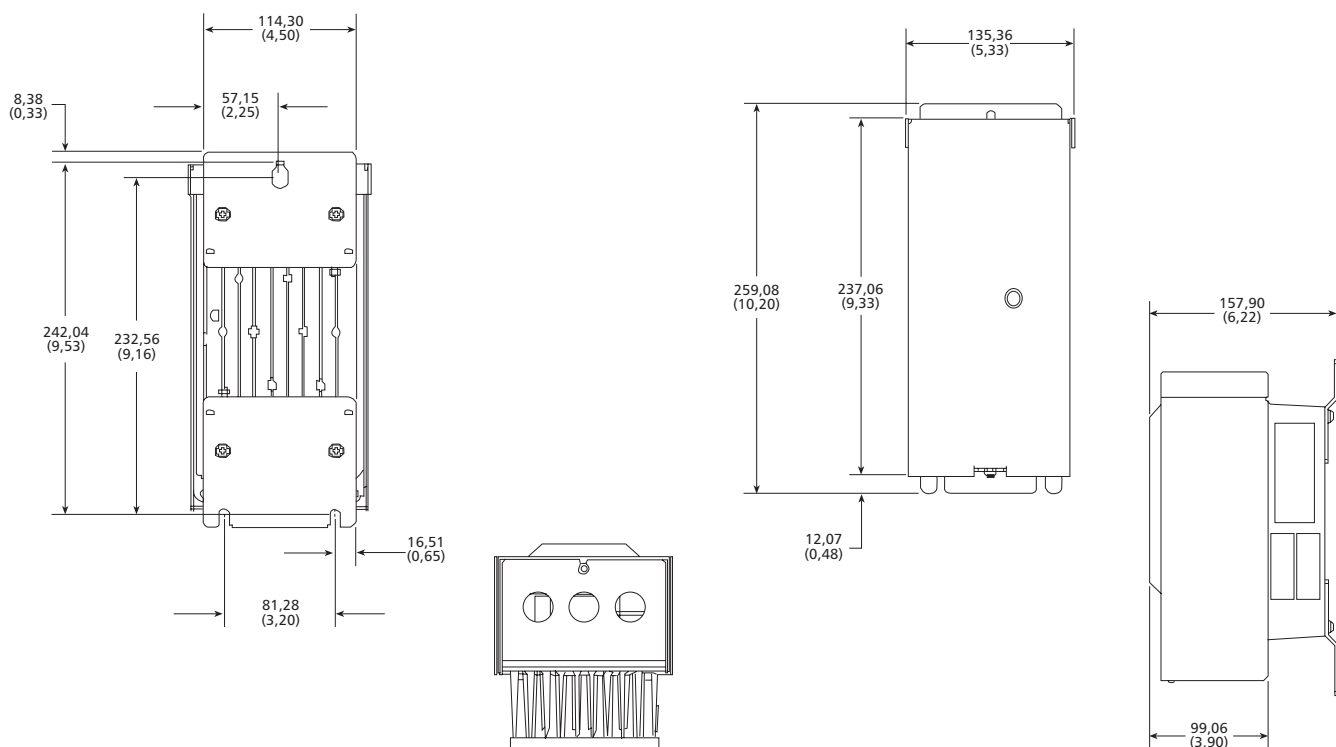
VOYANT VERT		
Aspect	État du système	Description
Fixe	En attente ou tension faible	Le voyant vert fixe indique l'arrêt de la pompe. Le système est en attente lorsqu'il n'y a pas de demande et que la pression de consigne est atteinte. Le système décèle une tension d'entrée faible quand celle-ci chute sous 196 V c.a. pour les contrôleurs 1AB2 et 2AB2 et sous 98 V c.a. pour les contrôleurs 1151AB2.
Clignotant	Pompe en marche	Le voyant vert clignotant signale que la pompe est en marche. Si elle ne l'est pas, couper l'alimentation du contrôleur et attendre 5 min . Vérifier la liaison électrique entre le moteur et le contrôleur.
VOYANT ROUGE		
Fixe	Erreur liée au contrôleur	Remplacer le contrôleur Aquavar ABII.
1 clignotement	Pas d'eau ou désamorçage	La pression du système baisse de 5 lbf/po ² et plus sous la pression de consigne, et le courant de sortie chute durant 10 s sous les 75 % de la valeur réglée pour la surcharge du moteur. Le système redémarrera automatiquement après 5 min. Si l'anomalie se produit 3 fois en une heure, le système ne redémarrera pas et devra être remis à l'état initial manuellement. Si le problème persiste, vérifier la capacité de la source d'approvisionnement, le débit de la pompe, le réglage de la surcharge du moteur et s'il y a obstruction entre la source et la pompe.
2 clignotements	Réservoir trop plein	Une chute de pression rapide et importante a eu lieu. La pompe continuera de fonctionner malgré cet avertissement, qui peut être dû à une pression d'air trop basse dans le réservoir ou à un défaut de la membrane de celui-ci, voire à des fluctuations de débit excessives. L'erreur est effacée au redémarrage de la pompe. Vérifier la pression d'air du réservoir si l'erreur se répète souvent, mais mettre d'abord le contrôleur hors tension pour empêcher le démarrage de la pompe, puis ouvrir un robinet pour éliminer la pression dans le système.
3 clignotements	Anomalie liée au capteur de pression	La rétroaction du capteur de pression pose problème. Vérifier la liaison électrique entre le capteur et le contrôleur, mais avant, mettre ce dernier hors tension et attendre 5 min . Ouvrir le couvercle du contrôleur et vérifier si le capteur est câblé conformément au schéma (fig. 4). S'il l'est, vérifier la tension d'entrée du capteur aux bornes du contrôleur avec un voltmètre c.c. en connectant le fil positif à Entrée (fil blanc) et le négatif à Commun (fil noir). Rétablir le courant. La tension devrait se situer entre 0,5 et 4,5 V c.c. ± 0,2 V c.c. Si elle est hors de ces limites, remplacer le capteur.
4 clignotements	Pompe ou moteur bloqués	Des débris se sont accumulés dans la pompe, ou bien une panne électrique s'est produite dans le moteur. Vérifier l'erreur en mettant le contrôleur hors tension durant 1 min, puis en le remettant sous tension. Si l'erreur persiste, vérifier la pompe.

9: DÉPANNAGE (suite)

VOYANT ROUGE		
Aspect	État du système	Description
5 clignotements	Court-circuit	Il peut y avoir eu court-circuit entre phases et entre phase et terre sur le câblage. Le vérifier, mais avant, mettre le contrôleur hors tension et attendre 5 min. Ouvrir le couvercle du contrôleur et débrancher les fils à T1, T2 et T3. Mesurer la résistance entre tous les fils de moteur avec un ohmmètre. <i>Nota</i> : la résistance entre phases de l'enroulement est généralement de 2 à 10 Ω .
6 clignotements	Défaut de mise à la terre	Un court-circuit peut s'être produit entre phase et terre sur le câblage. Le vérifier, mais avant, mettre le contrôleur hors tension et attendre 5 min. Ouvrir le couvercle du contrôleur et débrancher les fils de moteur à T1, T2, T3 et TERRE (GND). Mesurer la résistance entre chacun de ces fils et la terre avec un mégohmmètre réglé à 500 V c.c. Une résistance inférieure à 500 000 Ω ou à 0,5 M Ω est l'indice d'un moteur défectueux.
7 clignotements	Température élevée	La température interne du contrôleur est élevée. Si elle atteint 70 °C (158 °F), le contrôleur s'arrêtera jusqu'à ce que la température baisse à 65,5 °C (150 °F). Ne pas exposer le contrôleur à la lumière du soleil ni à une température ambiante dépassant 40 °C (104 °F).
8 clignotements	Sur tension	Fixer les fils positif et négatif d'un voltmètre c.a. sur les bornes L1 et L2 du contrôleur ABII et mesurer la tension d'entrée. S'assurer qu'elle n'excède pas 264 V c.a. pour les contrôleurs 1AB2 et 2AB2 ni 132 V c.a. pour les contrôleurs 1151AB2.
9 clignotements	Surcharge du moteur	Le courant d'alimentation du moteur dépasse la surcharge paramétrée pour celui-ci (fig. 3, 5 et 6). S'assurer du bon réglage du commutateur de surcharge du moteur suivant les directives de la section 7. Si le réglage est correct, vérifier le moteur.

10: DIMENSIONS DU CONTRÔLEUR

Les dimensions ci-dessous sont en millimètres (et en pouces).



GARANTIE LIMITÉE DE GOULDS WATER TECHNOLOGY

La présente garantie s'applique à chaque pompe de système d'alimentation en eau fabriquée par Goulds Water Technology.

Toute pièce se révélant défectueuse sera remplacée sans frais pour le détaillant durant la période de garantie suivante expirant la première : vingt-quatre (24) mois à compter de la date d'installation ou trente (30) mois à partir de la date de fabrication.

Le détaillant qui, aux termes de la présente garantie, désire effectuer une demande de règlement doit s'adresser au distributeur Goulds Water Technology agréé chez lequel la pompe a été achetée et fournir tous les détails à l'appui de sa demande. Le distributeur est autorisé à régler toute demande par le biais du service à la clientèle de Goulds Water Technology.

La garantie ne couvre pas :

- a) les frais de main-d'œuvre ni de transport ni les frais connexes encourus par le détaillant ;
- b) les frais de réinstallation du matériel réparé ;
- c) les frais de réinstallation du matériel de remplacement ;
- d) les dommages indirects de quelque nature que ce soit ;
- e) ni les pertes découlant de la panne.

Aux fins de la garantie, les termes ci-dessous sont définis comme suit :

- 1) « Distributeur » signifie une personne, une société de personnes, une société de capitaux, une association ou autre entité juridique servant d'intermédiaire entre Goulds Water Technology et le détaillant pour les achats, les consignations ou les contrats de vente des pompes en question.
- 2) « Détaillant » veut dire une personne, une société de personnes, une société de capitaux, une association ou autre entité juridique dont les activités commerciales sont la vente ou la location de pompes à des clients.
- 3) « Client » désigne une entité qui achète ou loue les pompes en question chez un détaillant. Le « client » peut être une personne, une société de personnes, une société de capitaux, une société à responsabilité limitée, une association ou autre entité juridique se livrant à quelque activité que ce soit.

LA PRÉSENTE GARANTIE SE RAPPORTE AU DÉTAILLANT SEULEMENT.



Xylem, Inc.
2881 East Bayard Street Ext., Suite A
Seneca Falls, NY 13148
Téléphone: (800) 453-6777
Fax: (888) 322-5877
www.xyleminc.com/brands/gouldswatertechnology

Goulds est une marque déposée de Goulds Pumps, Inc. et est utilisé sous le permis.
Aquavar ABII est une marque déposée de Xylem Inc. ou d'une de ses filiales.
© 2011, Xylem Inc. IM156 Révision numéro 4 Septembre 2011