

G&L Series MCS

Goulds Pumps is a brand of ITT Water Technology, Inc.
- a subsidiary of ITT Industries, Inc.

Goulds Pumps and the ITT Engineered Blocks Symbol are
registered trademarks and tradenames of ITT Industries.

© 2005 ITT Water Technology, Inc.
Effective September, 2005
RMCS

Goulds Pumps



ITT Industries

MCS NUMBERING SYSTEM
1 MS 1 C 1 E 0
MECHANICAL SEAL and O-RING

0 = Pre-Engineered Standard

For Optional Mechanical Seal modify catalog order no. with Seal Code listed below.

John Crane Mechanical Seal (3/8" seal)						
Seal Code	Rotary	Stationary	Elastomers	Metal Parts	Part No.	Casing O-Ring
0	Carbon	Ceramic	BUNA	316 SS	10K10	BUNA
2		Sil-Carbide	EPR		10K18	EPR
4		Sil-Carbide	Sil-Carbide		Viton	10K55*
5	EPR				10K81	EPR
6	Viton				10K62	Viton

*Replaces obsolete 10K24.

Impeller Option Code . . . No Adder Required

For Optional Impeller Diameters modify catalog order no. with Impeller code listed below. Select Optional Impeller Diameter from Pump Performance Curve.

Impeller Code	Pump Size		
	1 x 1 1/4-6 Diameter	1 1/4 x 1 1/2-6 Diameter	1 1/2 x 2-6 Diameter
K		6 1/8	
G		5 15/16	5 3/8
H		5 1/2	5
A	6 1/8	5 1/4	4 3/4
B	5 3/4	5 1/16	4 5/8
C	5 3/16	4 7/8	4 3/8
D	4 3/4	4 5/8	4 1/16
E	4 7/16	4 1/4	3 5/8
F	4 1/16	3 7/8	

Note: Not recommended for operation beyond printed H-Q curve.

For critical application conditions, consult factory.

Note: Not all combinations of motor, impeller and seal options are available for every pump model. Please check with G&L Pumps on non-cataloged numbers.

DRIVER

 1 = 1PH, ODP 4 = 1 PH, TEFC
 2 = 3 PH, ODP 5 = 3 PH, TEFC

HP RATING

 C = 1/2 HP F = 1 1/2 HP J = 5 HP
 D = 3/4 HP G = 2 HP
 E = 1 HP H = 3 HP

DRIVER: HERTZ/POLE/RPM

 1 = 60 HZ, 2 pole, 3500 RPM
 4 = 50 HZ, 2 pole, 2900 RPM

MATERIAL

MS = Stainless Steel

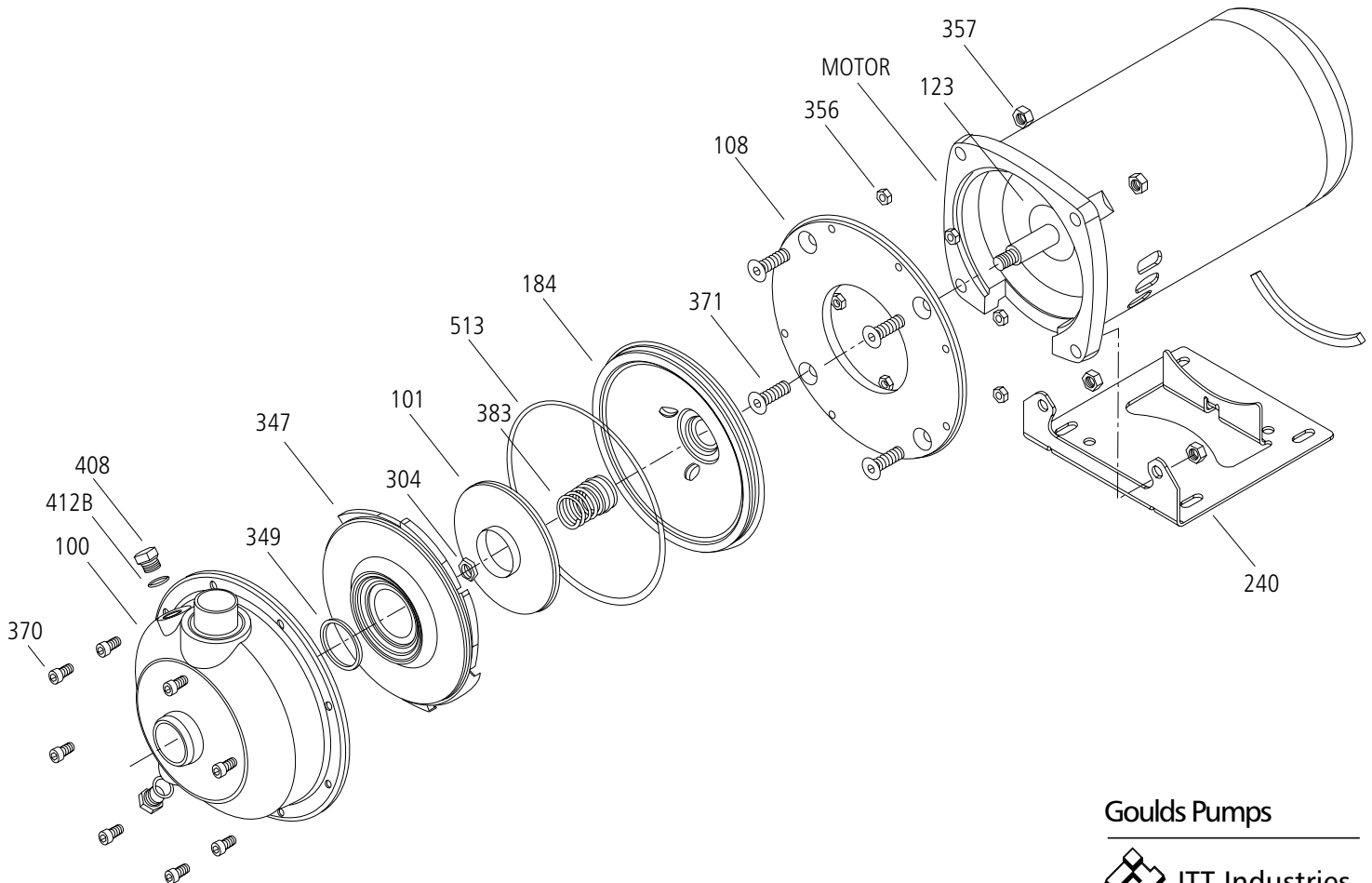
PUMP SIZE

1 = 1 x 1 1/4 - 6 2 = 1 1/4 x 1 1/2 - 6 3 = 1 1/2 x 2 - 6

MCS STANDARD REPAIR PARTS LIST

Item No.	Description	Materials of Construction	1MS 1 x 1¼	2MS 1¼ x 1½	3MS 1½ x 2	QTY.
100	Casing	AISI 316L SS	1L81	1L82	1L83	1
101	Impeller		See Impeller chart on page 4			
108	Motor adapter	Aluminum	1K336			
123	Deflector	BUNA-N	5K7			
184A	Seal housing standard	AISI 316L SS	1L79			
240	Motor support	300 SS	4K450			
	Rubber channel	Rubber	9K188			
	Rubber channel	Rubber**	9K286			
304	Impeller locknut	AISI 316 SS	13K286			
347	Guidevane	AISI 316L SS	3L23	3L24	3L25	
349	Seal ring, guidevane	Viton	5K269	5K270		
		EPR	5K273	5K274		
		BUNA	5K271	5K272		
356	Nut, casing	AISI 300 SS	13K269			8
357	Nut, motor		13K262			4
370	Socket head screw, casing	AISI 410 SS	13K268			8
371	Bolts, motor	Steel	13K287			4
383	Mechanical seal		See Mechanical Seal Chart Numbering System			1
408	Drain and vent plug, casing	AISI 316 SS	6L3			2
412B	O-ring, drain plugs	Viton, standard	5L99			
		EPR	5L80			
		BUNA	5L62			
513	O-ring, casing	Viton	5K206			1
		EPR	5K193			
		BUNA standard	5K4			

Note: **Used on all single phase ODP units ½ - 2 HP.



MCS STANDARD IMPELLERS

Impeller Code	Pump Size					
	1 x 1¼-6		1¼ x 1½-6		1½ x 2-6	
	Diameter	Part No.	Diameter	Part No.	Diameter	Part No.
K			6½	2L885		
G			5 ¹⁵ / ₁₆	2L700	5¾	2L702
H			5½	2L699	5	2L701
A	6½	2L47	5¼	2L48	4¾	2L49
B	5¾	2L44	5 ¹ / ₁₆	2L54	4 ⁵ / ₈	2L58
C	5 ³ / ₁₆	2L46	4 ⁷ / ₈	2L53	4 ³ / ₈	2L57
D	4¾	2L42	4 ⁵ / ₈	2L52	4 ¹ / ₁₆	2L56
E	4 ⁷ / ₁₆	2L45	4¼	2L51	3 ⁵ / ₈	2L55
F	4 ¹ / ₁₆	2L59	3 ⁷ / ₈	2L50		

MCS STANDARD IMPELLERS BY MOTOR SIZE AT 3500 RPM

HP	HP Code		1MS	2MS	3MS	
			ODP/TEFC	ODP/TEFC	ODP/TEFC	
½	C	Repair #	2L45			
		Dia.	4 ⁷ / ₁₆			
		Imp. Code	E			
¾	D	Repair #	2L42	2L50		
		Dia.	4¾	3 ⁷ / ₈		
		Imp. Code	D	F		
1	E	Repair #	2L46	2L51	2L55	
		Dia.	5 ³ / ₁₆	4¼	3 ⁵ / ₈	
		Imp. Code	C	E	E	
1½	F	Repair #	2L44	2L52	2L56	
		Dia.	5¾	4 ⁵ / ₈	4 ¹ / ₁₆	
		Imp. Code	B	D	D	
2	G	Repair #	2L47	2L53	2L57	
		Dia.	6½	4 ⁷ / ₈	4 ³ / ₈	
		Imp. Code	A	C	C	
3	H	Repair #	2L47	2L48	2L49	
		Dia.	6½	5¼	4¾	
		Imp. Code	A	A	A	
5	J	Repair #		2L700	2L885	2L702
		Dia.		5 ¹⁵ / ₁₆	6½	5 ³ / ₈
		Imp. Code		G	K	G

MCS CLOSE-COUPLED MOTORS 3500 RPM

HP	Single-Phase, 60 Hz, 115/230 V**, 56J Frame					
	Open, Drip-Proof			Totally Enclosed, Fan Cooled		
	Order No.	Max. Amps	Wt. (lbs.)	Order No.	Max. Amps	Wt. (lbs.)
½	SFE04853S	10.2/5.1	24	SFE04821S	9.4/4.7	30
¾	SFE05853S	13.4/6.7	26	SFE05821S	12.2/6.1	33
1	SFE06853S	14.0/7.0	27	SFE06821S	15.2/7.6	37
1½	SFE07858S	20.0/10.0	28	SFE07821S	14.4/8.7	40
2	SFE08854S	21.0/10.5	30	SFE08821S	10.0	42
3	SFE09854S	15.2	36	SFE09821S	13.8	48
5	SFE10754S	22.0	48			

Note:** 2 HP TEFC and all 3 and 5 HP Single-Phase motors are 230 V only.

HP	Three-Phase, 60 Hz, 208-230/460 V, 56Y Frame					
	Open, Drip-Proof			Totally Enclosed, Fan Cooled		
	Order No.	Max. Amps	Wt. (lbs.)	Order No.	Max. Amps	Wt. (lbs.)
½	SFE04873	2.6/1.3	24	SFE04876	2.6/1.3	19
¾	SFE05873	3.4/1.7	25	SFE05876	3.4/1.7	21
1	SFE06873	4.0/2.0	26	SFE06876	4.0/2.0	23
1½	SFE07878	5.6/2.8	28	SFE07876	5.4/2.7	29
2	SFE08874	6.4/3.2	31	SFE08876	6.6/3.3	36
3	SFE09874	9.0/4.5	34	SFE09876	9.8/4.9	40
5	SFE10774	14.4/7.2	46			