

ITT

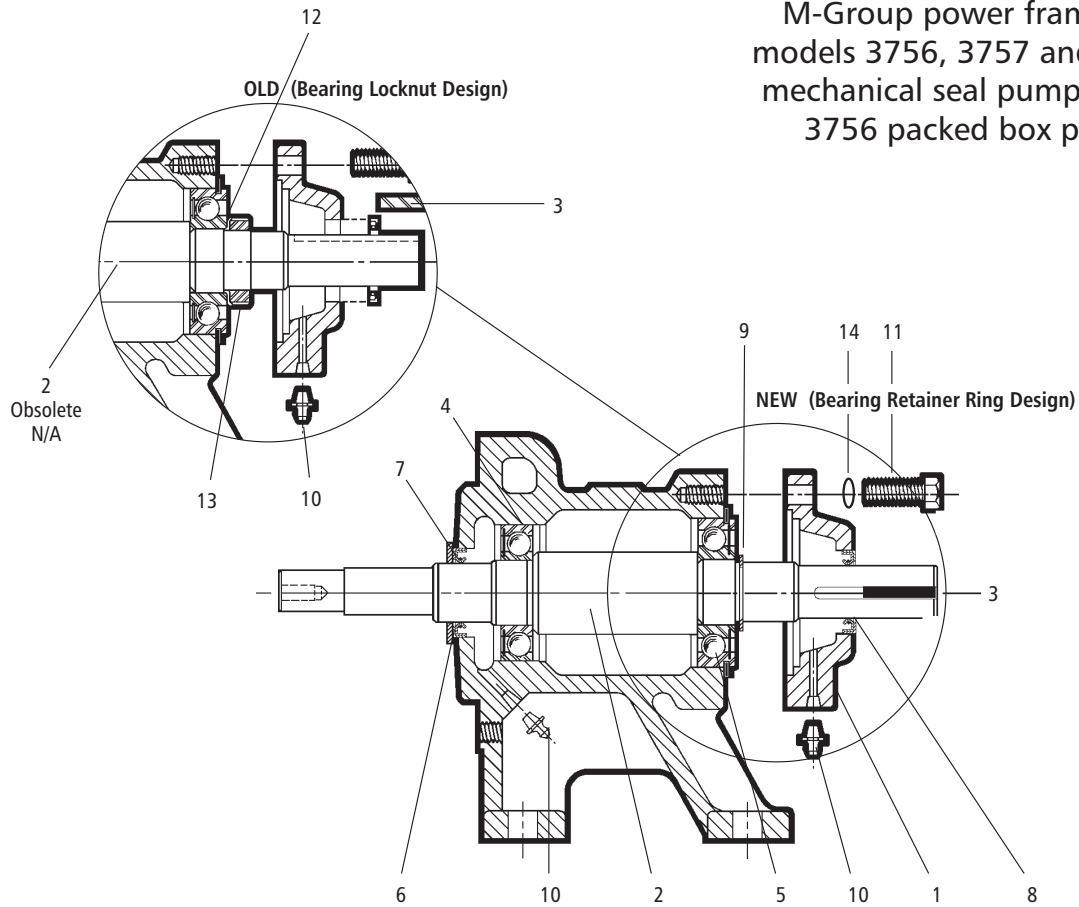
RMPFRAME

Commercial Water Systems

Goulds Pumps

M-Group Power Frame Repair Parts

M-Group power frame for models 3756, 3757 and SSH mechanical seal pumps and 3756 packed box pumps



Goulds Pumps is a brand of ITT Corporation.

www.goulds.com

Engineered for life

ITEM NO.	PART NO.	DESCRIPTION	MATERIAL	PATTERN NO.
	14L60 15K6	Power Frame Complete, Mechanical Seal Pump Power Frame Complete, Packed Box Pump		
1	1K147	Bearing cover	Cast iron	59056
2	4K411	Shaft – mechanical seal	Steel	
	4K453	Shaft – packed box	Steel	
3	4K292	Shaft key – motor end	Steel	
4	4K293	Ball bearing – inboard	Steel	
5	4K556	Ball bearing – outboard	Steel	
6	5K163	Deflector	BUNA-N	
7	5K164	Lip seal	BUNA/Steel	
8	5K164	Lip seal – mechanical seal	BUNA/Steel	
	5K280	Lip seal – packed box	BUNA/Steel	
9	5K246	Retaining ring	Steel	
10	6K80	Grease fitting – frame and bearing cover	Steel	
11	13K80	Hex head cap screw – 3/8" - 16 x 1.25	Zinc-Plated Steel	
12	13K183	Lockwasher	Zinc-Plated Steel	
13	13K184	Locknut	Zinc-Plated Steel	
14	13K158	Lockwasher 3/8"	Zinc-Plated Steel	

For parts pricing and package stock quantities refer to published parts price list using "K" part no. listed above.
Shaft and mounting face duplicates NEMA 254JM dimensions.



ITT
 2881 East Bayard Street, Seneca Falls, NY 13148
 Phone: (315) 568-7123 • Fax: (315) 568-7973
www.goulds.com

Goulds Pumps is a registered trademark of ITT Corporation.
 ITT, the Engineered Blocks Symbol and Engineered for Life are registered trademarks of ITT Manufacturing Enterprises, Inc.

Copyright © 2010 ITT Corporation RMPFRAME July, 2010 Printed in U.S.A.
 SPECIFICATIONS ARE SUBJECT TO CHANGE WITHOUT NOTICE.

