

ITT

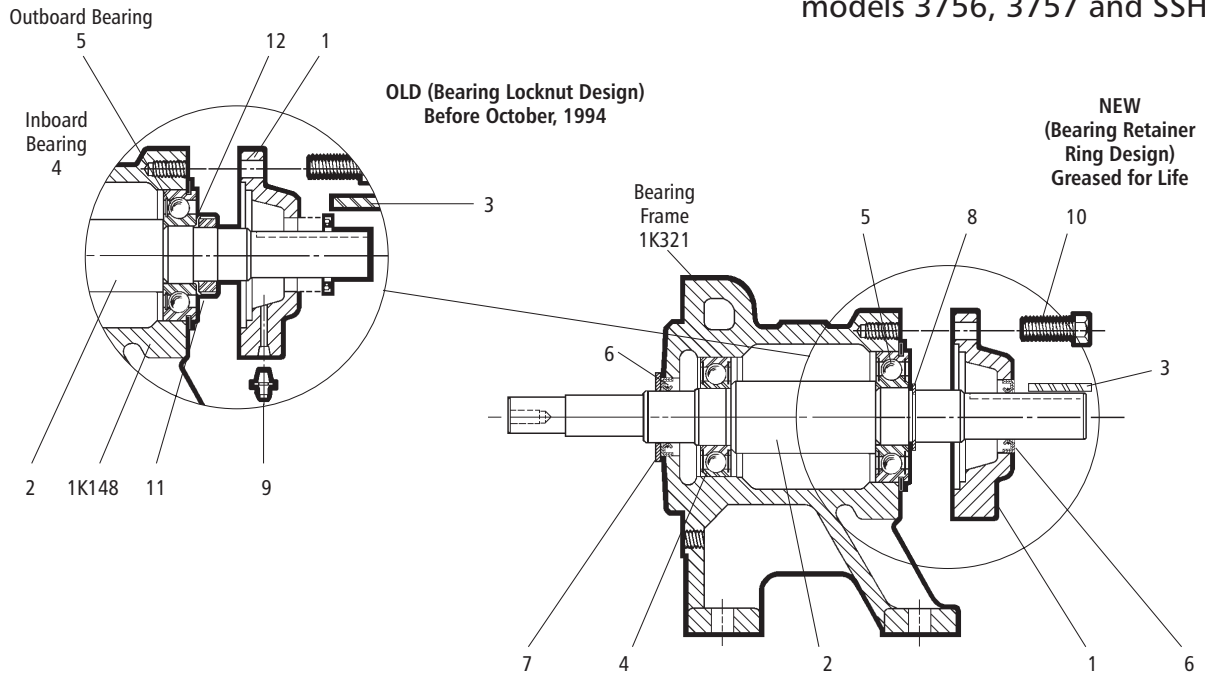
RSPFRAME

Commercial Water Systems

Goulds Pumps

S-Group Power Frame Repair Parts

S-Group power frame for models 3756, 3757 and SSH



Goulds Pumps is a brand of ITT Corporation.

www.goulds.com

Engineered for life

Complete Bearing Frame Assemblies:

To order complete assembly (grease for life only) use part number 14L52 – for mechanical seal and 15K17 for packed box.

ITEM NO.	OLD Regreasable	NEW Grease for life	DESCRIPTION	MATERIAL	PATTERN NO.
1	1K437	1K322	Bearing cover	Cast iron	59027
2	4K277 —	4K410 4K478	Shaft – mechanical seal Shaft – packed box	Steel Steel	
3	4K278	4K278	Key – motor end	Steel	
4	4K279	4K412	Inboard bearing	Steel	
5	4K280	4K413	Outboard bearing	Steel	
6	5K159	5K159	Lip seal	BUNA/steel	
7	5K160	5K160	Deflector	BUNA-N	
8	NA	5K245	Retaining ring	Steel	
9	6K80	NA	Grease fitting – frame and bearing cover	Steel	
10	13K80	13K80	Hex head cap screw – bearing cover	Steel	
11	13K166	NA	Locknut	Steel	
12	13K167	NA	Lockwasher	Steel	

For parts pricing and package stock quantities refer to published parts price list using “K” part no. listed above.

Shaft and mounting face duplicates NEMA 184JM dimensions.



ITT

2881 East Bayard Street, Seneca Falls, NY 13148

Phone: (315) 568-7123 • Fax: (315) 568-7973

www.goulds.com

Goulds Pumps is a registered trademark of ITT Corporation.
ITT, the Engineered Blocks Symbol and Engineered for Life are registered trademarks of ITT Manufacturing Enterprises, Inc.

Copyright © 2010 ITT Corporation RSPFRAME July, 2010 Printed in U.S.A.
SPECIFICATIONS ARE SUBJECT TO CHANGE WITHOUT NOTICE.



Engineered for life