

ITT

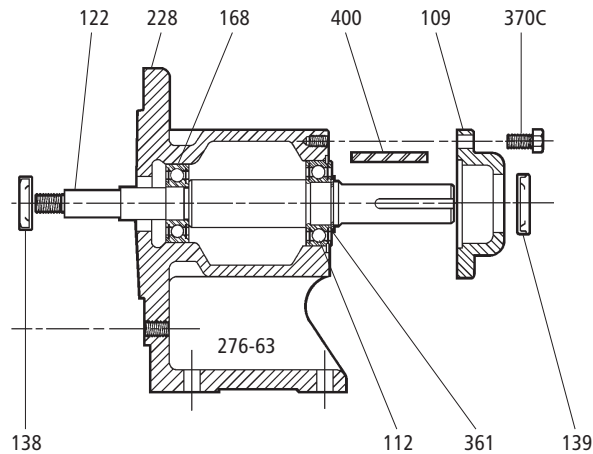
RXSPFRAM

Commercial Water

Goulds Pumps

XS-Group Power Frame Repair Parts

for models NPE-F, ICS-F, 3742



ITEM NO.	PART NO.	DESCRIPTION	MATERIAL	PATTERN NO.
109	1K267	Bearing cover	Cast iron	59142
228	1K268	Bearing frame	Cast iron	59279
122	4K377	Shaft – bearing frame	AISI 303 SS	
400	4K11	Shaft key – motor end		
168	4K384	Ball bearing – inboard bearing	Steel	
112	4K385	Ball bearing – outboard bearing		
138	5K172	Lip seal – inboard		
139	5K171	Lip seal – outboard	BUNA-N/steel	
361	5K211	Retaining ring		
370C	13K179	Hex head cap screw – bearing cover	Steel	

For parts pricing and package stock quantities, refer to published parts price list using "K" part no. listed above.

For complete power frame assembly, order part #14L61.



www.goulds.com

Goulds Pumps is a brand of ITT Corporation.

Engineered for life



ITT

2881 East Bayard Street, Seneca Falls, NY 13148

Phone: (315) 568-7123 • Fax: (315) 568-7973

www.goulds.com

Goulds Pumps is a registered trademark of ITT Corporation.
ITT, the Engineered Blocks Symbol and Engineered for Life are
registered trademarks of ITT Manufacturing Enterprises, Inc.

Copyright © 2010 ITT Corporation RXSPFRAM April, 2010 Printed in U.S.A.
SPECIFICATIONS ARE SUBJECT TO CHANGE WITHOUT NOTICE.



Engineered for life