

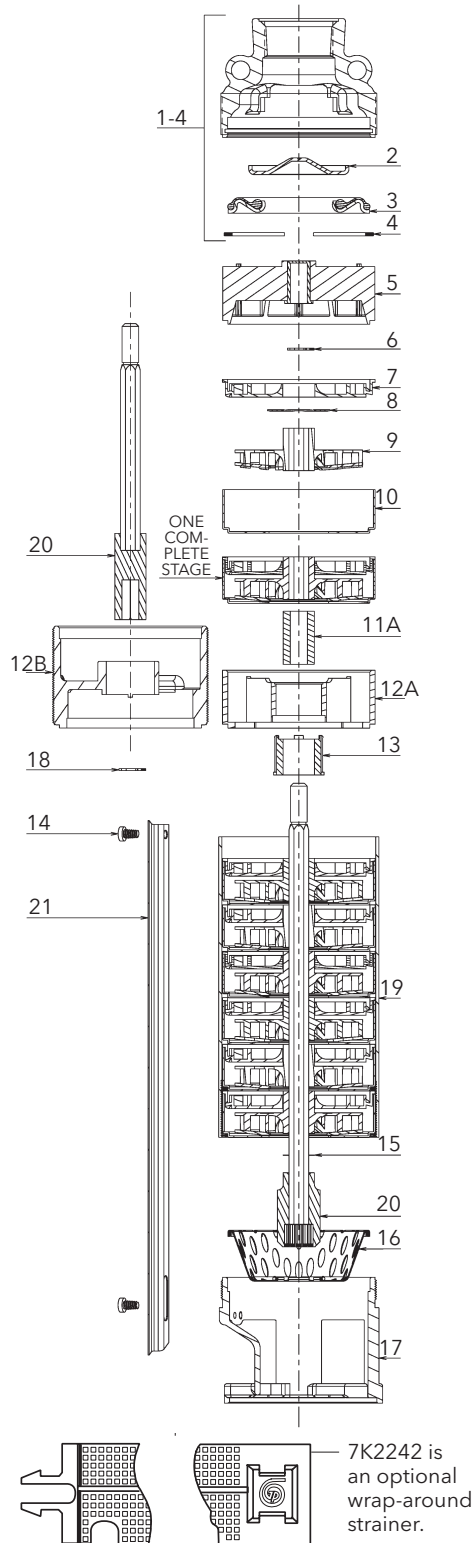
**REPAIR PARTS**

R5-25GS05

---

**GS** REPAIR PARTS

PUMPS BUILT AFTER JULY 2005



## Residential Water Systems

Item No.	Description	Current Models							
		Models with 2 Safety Loops On Discharge Head							
		HP	5GS	7GS	10GS	13GS	18GS	25GS	
	NUMBER OF STAGES	½R	9	7	5	–	–	–	
		½	12	10	7	5	–	–	
		¾	15	13	10	7	6	–	
		1	20 ①	17	12	10	8	7	
		1½	26 ①	22 ①	17	12	11	9	
		2	33 ②	27 ①	20 ①	17	14	11	
		3	–	34 ②	27 ②	21 ①	19 ①	15	
		5R	–	–	35 ②	–	24 ①	22 ①	
5	–	–	42 ②	–	30 ②	26 ②			
1-4	Discharge head assembly		7K2828	7K2828	7K2828	7K2828	7K2828	7K2828	
2	Check valve poppet		7K1366	7K1366	7K1366	7K1366	7K1366	7K1366	
3	C.V. seal/seat assembly		7K2123	7K2123	7K2123	7K2123	7K2123	7K2123	
4	C. V. retaining ring		7K1364	7K1364	7K1364	7K1364	7K1364	7K1364	
5	Bearing and spider assembly		7K2676	7K2676	7K2676	7K2676	7K2676	7K2676	
6	Klip ring - upper		7K817	7K817	7K817	7K817	7K817	7K817	
7	Diffuser		7K1750	7K995	7K17	7K17	7K20	7K20	
8	Upthrust washer		7K15	7K15	7K15	7K15	7K15	7K15	
9	Impeller 7GS ½ - 1½ HP		7K1837	7K1343	7K35	7K16	7K1334	7K19	
	7GS 2 and 3 HP		–	7K994	–	–	–	–	
10	Bowl		7K1838	7K478	7K478	7K478	7K858	7K18	
11A ①	Int. shaft sleeve for 12A		7K209	7K209	7K209	7K209	7K209	7K209	
12A ①	Int bearing spider (plastic)		7K1371	7K1371	7K1371	7K1371	7K1371	7K1371	
12B ②	Int. bearing spider (SS)		7K2046	7K2046	7K2046	–	7K2046	7K2046	
13	Mid bearing for 12A & 12B		7K2755	7K2755	7K2755	7K2755	7K2755	7K2755	
14	Screws - cable guard		13K91	13K91	13K91	13K91	13K91	13K91	
15	Shim		7K155	7K155	7K155	7K155	7K155	7K155	
16	Inlet strainer		7K1370	7K1370	7K1370	7K1370	7K1370	7K1370	
17	Motor adapter		7K1363	7K1363	7K1363	7K1363	7K1363	7K1363	
18	Klip ring - lower		7K1553	7K1553	7K1553	7K1553	7K1553	7K1553	
19	Casings	½R	7K2682	7K2689	7K2697	–	–	–	
		½	7K2673	7K2690	7K2698	7K2697	–	–	
		¾	7K2674	7K2675	7K2699	7K2698	7K2818	–	
		1	7K1960	7K2847	7K2673	7K2699	7K2699	7K2715	
		1½	7K2684	7K1953	7K2700	7K2673	7K2702	7K2716	
		Upper	2	7K2686	7K2692	7K1960	7K2700	7K2707	7K2674
				Lower	7K2685	–	–	–	–
		Upper	3	–	7K2694	7K2701	7K2215	7K2852	7K1971
				Lower	–	7K2693	7K2702	–	–
		Upper	5R	–	–	7K2704	–	7K2709	7K2717
				Lower	–	–	7K2686	–	–
		Upper	5	–	–	7K2687	–	7K2711	7K2718
Lower	–			–	7K2461	–	7K2710	7K1738	
20	Shaft and coupling assemblies	½R	7K1033	7K1361	7K1358	–	–	–	
		½	7K1377	7K1376	7K1360	7K1358	–	–	
		¾	7K1381	7K1380	7K1375	7K1360	7K1359	–	
		1	7K2849	7K1384	7K1377	7K1375	7K1375	7K1374	
		1½	7K183388	7K1457	7K1377	7K1380	7K1378	–	
		Upper	2	7K2254	7K1391	7K2849	7K145	7K1382	7K1381
				Lower	7K2293	–	–	–	–
		Upper	3	–	7K2248	7K2255	7K1389	7K1070	7K1385
				Lower	–	7K2280	7K2294	–	–
		Upper	5R	–	–	7K2247	–	7K2657	7K2864
				Lower	–	–	7K2281	–	–
		Upper	5	–	–	7K2845	–	7K2252	7K2259
Lower	–			–	7K2846	–	7K3058	7K3057	

Item No.	Description	Current Models						
		Models with 2 Safety Loops On Discharge Head						
		HP	5GS	7GS	10GS	13GS	18GS	25GS
21	Cable guards	½R	7K1885	7K2230	7K1881	–	–	–
		½	7K1888	7K2228	7K1883	7K1881	–	–
		¾	7K1890	7K2229	7K1886	7K1883	7K1884	–
		1	7K2835	7K2081	7K1888	7K1886	7K1886	7K1886
		1½	7K1922	7K1921	7K1916	7K1888	7K2229	7K2079
		2	7K2678	7K2322	7K2835	7K1916	7K1916	7K1890
		3	–	7K1930	7K2322	7K2677	7K2775	7K2235
		5.0R	–	–	7K2656	–	7K1925	7K1925
		5	–	–	7K2851	–	7K2325	7K1930

① Model has one intermediate bearing spider, order bearing and spider separately.

② Model has one intermediate bearing spider, a split case design and upper and lower shaft assemblies.

## Xylem |'zīləm|

- 1) The tissue in plants that brings water upward from the roots;
- 2) a leading global water technology company.

We're 12,000 people unified in a common purpose: creating innovative solutions to meet our world's water needs. Developing new technologies that will improve the way water is used, conserved, and re-used in the future is central to our work. We move, treat, analyze, and return water to the environment, and we help people use water efficiently, in their homes, buildings, factories and farms. In more than 150 countries, we have strong, long-standing relationships with customers who know us for our powerful combination of leading product brands and applications expertise, backed by a legacy of innovation.

**For more information on how Xylem can help you, go to [www.xylem.com](http://www.xylem.com)**



Xylem, Inc.  
 2881 East Bayard Street Ext., Suite A  
 Seneca Falls, NY 13148  
 Phone: (866) 325-4210  
 Fax: (888) 322-5877  
[www.xylem.com/brands/gouldswatertechnology](http://www.xylem.com/brands/gouldswatertechnology)

Goulds is a registered trademark of Goulds Pumps, Inc. and is used under license.  
 © 2012 Xylem Inc. R5-25GS05 February 2012