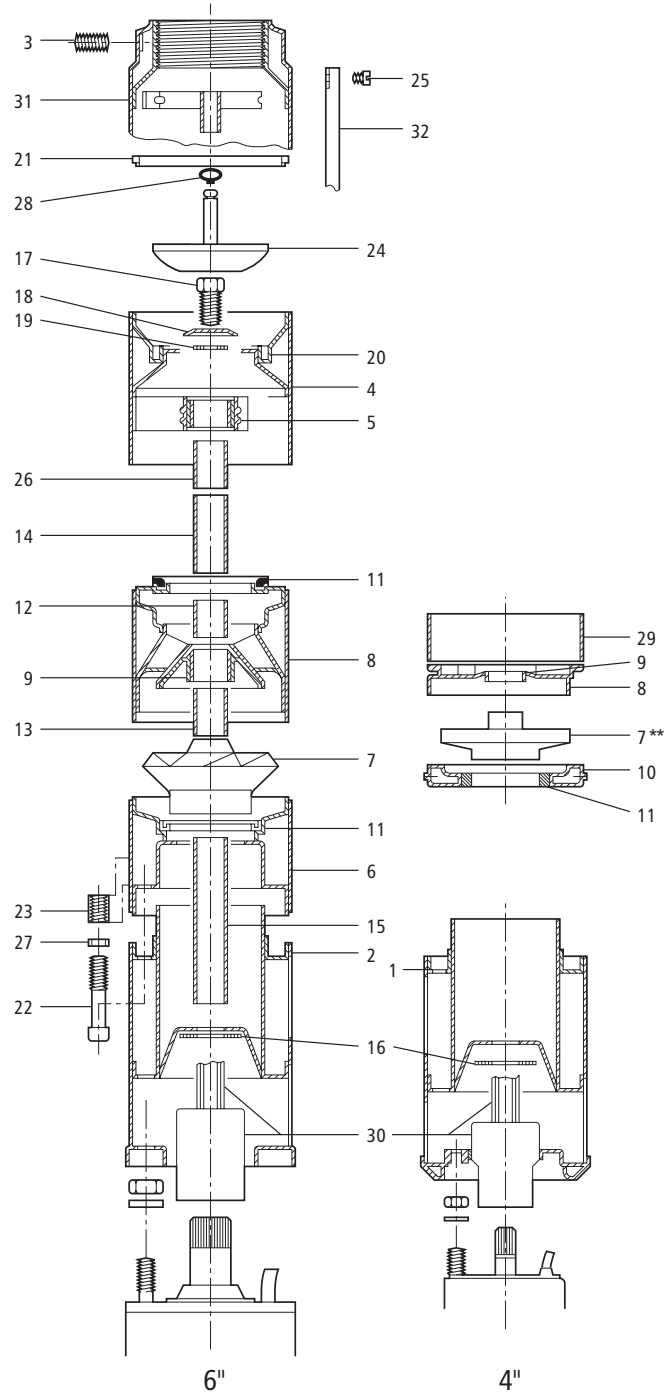


**MODEL**

**70L, 90L, 150L,  
200L, 300L**

Item No.	Part Description	Current Models						
		70L	90L	150L	200L	300L		
	Number of Stages	Horsepower	3	—	—	—	—	
			5	3	2	—	1	
			7½	5	3	2	—	
			10	7	4	3	2	
			15	11	6	5	3	
			20	15	8	6	5	
			25	19	10	8	6	
			30	—	12	10	7	
			40	—	16	13	10	
1			Motor adapter with suction strainer – 4" motor	7L123	7L123	7L123	7L123	7L123
2	Motor adapter with suction strainer – 6" motor	7L124	7L124	7L124	7L124	7L124		
3	Threaded lock pin	7L127	7L127	7L128	7L128	7L128		
4	Check valve housing	7L130	7L130	7L130	7L130	7L130		
5	Check valve housing bearing	7L131	7L131	7L131	7L131	7L131		
6	Lower bowl	7L132	7L132	7L261	7L230	7L133		
7	Impeller**	7L134	7L135	7L262	7L231	7L136		
8	Diffuser	7L137	7L137	7L263	7L232	7L138		
9	Bowl bearing	7L139	7L139	7L140	7L140	7L140		
10	Diffuser cover	7L141	7L141	—	—	—		
11	Wear ring	7L143	7L143	7L265	7L233	7L144		
12	Impeller spacer sleeve	—	—	7L146	7L146	7L146		
13	Shaft sleeve**	—	—	7L148	7L148	7L148		
14	Upper spacer sleeve	7L149	7L150	7L151	7L151	7L151		
15	Lower spacer sleeve	7L152	7L153	7L154	7L154	7L154		
16	Thrust washer	7L155	7L155	7L155	7L155	7L155		
17	Impeller lock screw	7L156	7L156	7L156	7L156	7L156		
18	Shaft end cover	7L157	7L157	7L157	7L157	7L157		
19	Shaft end washer	7L158	7L158	7L158	7L158	7L158		
20	Check valve seat	7L159	7L159	7L159	7L159	7L159		
21	Upper bowl gasket	7L160	7L160	7L160	7L160	7L160		
22	Casing bolt	7L161	7L161	7L161	7L161	7L161		
23	Bowl insert (casing nut)	7L162	7L162	7L162	7L162	7L162		
24	Check valve	7L163	7L163	7L163	7L163	7L163		
25	Cable guard screw	7L28	7L28	7L28	7L28	7L28		
26	Upper shaft sleeve/bearing	7L165	7L165	7L165	7L165	7L165		
27	Bowl insert washer	7L217	7L217	7L217	7L217	7L217		
28	Snap ring	7L218	7L218	7L218	7L218	7L218		
29	Bowl ring	7L145	7L145	—	—	—		
30	Shaft* and coupling	Horsepower	70L	90L	150L	200L	300L	
			3	7L166	—	—	—	—
			5	7L167	7L166	7L347	—	7L176
			7½	7L168	7L147	7L148	7L220	—
			10	7L169	7L168	7L266	7L221	7L177
			15	7L170	7L173	7L180	7L222	7L178
			20	7L171	7L170	7L267	7L180	7L179
			25	7L172	7L174	7L182	7L224	7L180
			30	—	7L175	7L268	7L225	7L181
			40	—	—	7L269	7L371	7L182
31	Casing and discharge head	Horsepower	3	7L183	—	—	—	
			5	7L184	7L183	7L194	—	7L193
			7½	7L185	7L184	7L195	7L194	—
			10	7L186	7L185	7L258	7L195	7L194
			15	7L187	7L190	7L197	7L196	7L195
			20	7L188	7L187	7L227	7L197	7L196
			25	7L189	7L191	7L199	7L227	7L197
			30	—	7L192	7L259	7L199	7L198
			40	—	—	7L260	7L369	7L199
			32	Cable guard	Horsepower	3	7L200	—
5	7L201	7L200				7L211	—	7L210
7½	7L202	7L201				7L212	7L211	—
10	7L203	7L202				7L270	7L212	7L211
15	7L204	7L207				7L214	7L213	7L212
20	7L205	7L204				7L271	7L214	7L213
25	7L206	7L208				7L216	7L215	7L214
30	—	7L209				7L272	7L216	7L215
40	—	—				7L273	7L370	7L216



\* NOTE: Coupling only 6" – 157 600 030  
Coupling only 4" – 157 600 050  
Call for prices.

\*\* 70L and 90L Impeller now includes shaft sleeve (effective March 2001)

Goolds Pumps is a brand of ITT Water Technology, Inc. - a subsidiary of ITT Industries, Inc.

Goolds Pumps and the ITT Engineered Blocks Symbol are registered trademarks and tradenames of ITT Industries.

© 2005 ITT Water Technology, Inc. Effective August, 2005

Printed in the U.S.A. on recycled paper. R70-300L

Specifications are subject to change without notice. www.goolds.com

**Goolds Pumps**

