



# ITT

R234GVPL

Wastewater

## Goulds Pumps

2GV/3GV/4GV PLUS

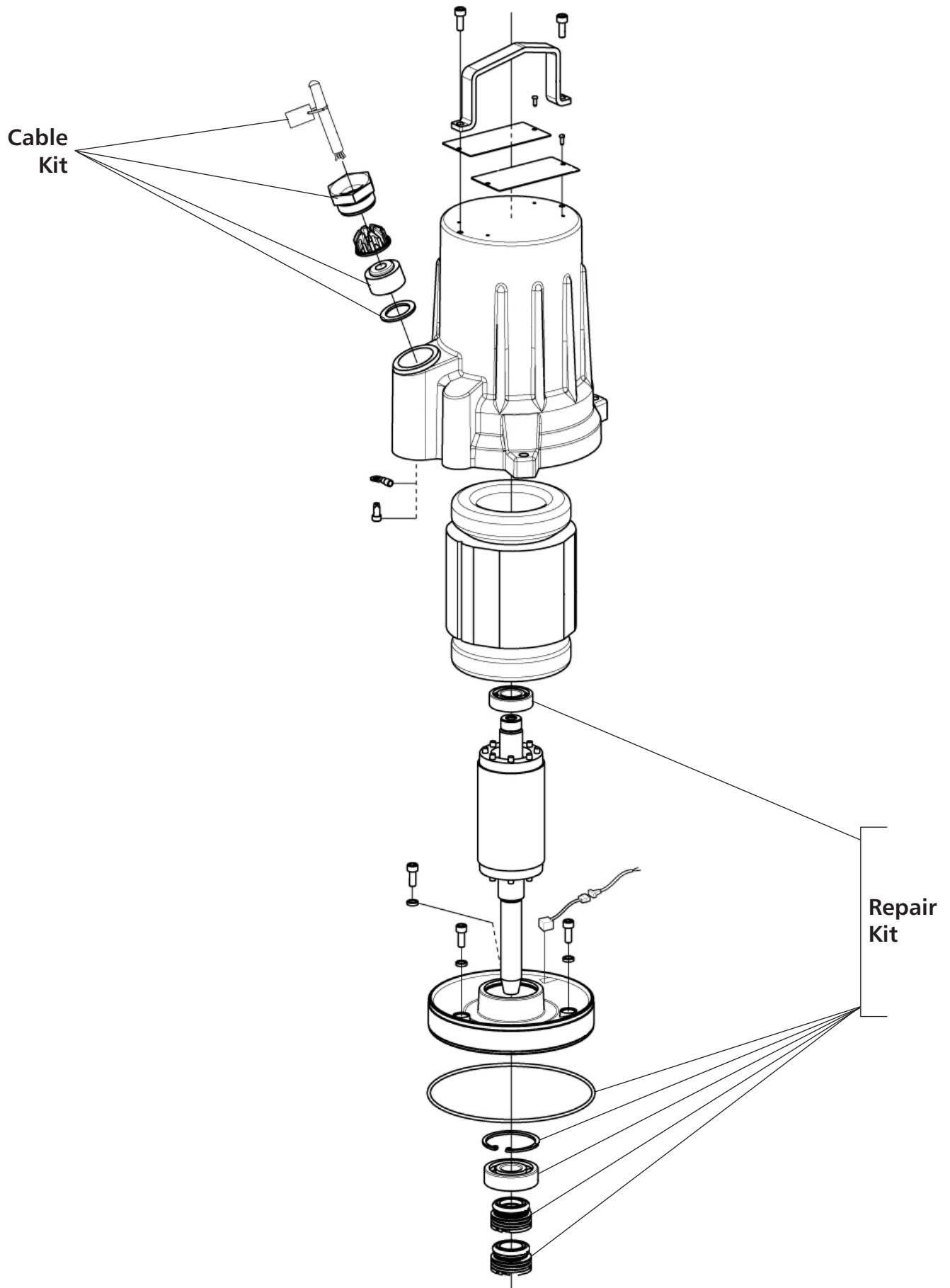
REPAIR PARTS



Goulds Pumps is a brand of ITT Corporation.

[www.goulds.com](http://www.goulds.com)

*Engineered for life*



## 2"

	Quantity
<b>10K210 BASIC REPAIR KIT</b>	1
O-RING KITS	1
BALL BEARING	1
BALL BEARING	2
MECHANICAL SEAL	1
MECHANICAL SEAL	1
<b>5K501 O-RING KIT</b>	1
LOCK WASHER	3
O-RING	1
O-RING	1
O-RING	1
MOUNTING INSTRUCTION	1

## 3" (6.5 HP and up) and 4" (5.1 HP and up)

	Quantity
<b>10K212 BASIC REPAIR KIT</b>	1
O-RING KITS	1
BALL BEARING	1
BALL BEARING	1
MECHANICAL SEAL	1
MECHANICAL SEAL	1
<b>5K503 O-RING KIT</b>	1
LOCK WASHER	3
O-RING	2
O-RING	1
O-RING	1
MOUNTING INSTRUCTION	1

## 3" (4.4 – 6.4 HP) and 4" (3.1 – 5 HP)

	Quantity
<b>10K211 BASIC REPAIR KIT</b>	1
O-RING KITS	1
BALL BEARING	1
BALL BEARING	1
MECHANICAL SEAL	1
MECHANICAL SEAL	1
<b>5K502 O-RING KIT</b>	1
LOCK WASHER	3
O-RING	2
O-RING	1
O-RING	1
O-RING	1
MOUNTING INSTRUCTION	1

## 6" ALL

	Quantity
<b>10K213 BASIC REPAIR KIT</b>	1
O-RING KITS	1
BALL BEARING	1
BALL BEARING	1
MECHANICAL SEAL	1
MECHANICAL SEAL	1
<b>5K504 O-RING KIT</b>	1
LOCK WASHER	3
O-RING	2
O-RING	1
O-RING	1
O-RING	1
MOUNTING INSTRUCTION	1

## ALL PUMPS

	Quantity
<b>9K578 CABLE KIT 10AWG</b>	<b>1</b>
<i>Cable Entry 20-22 mm</i>	
SEAL SLEEVE (35mm entry)	1
CABLE CLAMP	1
CABLE LUG	2
CLOSED END SPLICE	7
MOTOR CABLE	30.5 m
SEAL SLEEVE (52mm entry)	2
O-RING	1
O-RING	1
MOUNTING INSTRUCTIONS	1

<b>9K579 CABLE KIT 14AWG</b>	<b>1</b>
<i>Cable Entry 18-20 mm</i>	
SEAL SLEEVE	1
CABLE CLAMP	1
CABLE LUG	1
CLOSED END SPLICE	7
MOTOR CABLE	30.5 m
CABLE LUG	1
MOUNTING INSTRUCTIONS	1

	Quantity	
<b>SUPPORT KITS</b>	<b>1</b>	<b>7482200</b>
SCREW	4	
WASHER	4	
MOUNTING INSTRUCTION	1	
STAND	1	



ITT

2881 East Bayard Street, Seneca Falls, NY 13148

Phone: (315) 568-7123 • Fax: (315) 568-7973

[www.goulds.com](http://www.goulds.com)

Goulds Pumps is a registered trademark of ITT Corporation.  
ITT, the Engineered Blocks Symbol and Engineered for Life are  
registered trademarks of ITT Manufacturing Enterprises, Inc.

Copyright © 2010 ITT Corporation R234GVPL June, 2010 Printed in U.S.A.  
SPECIFICATIONS ARE SUBJECT TO CHANGE WITHOUT NOTICE.



*Engineered for life*